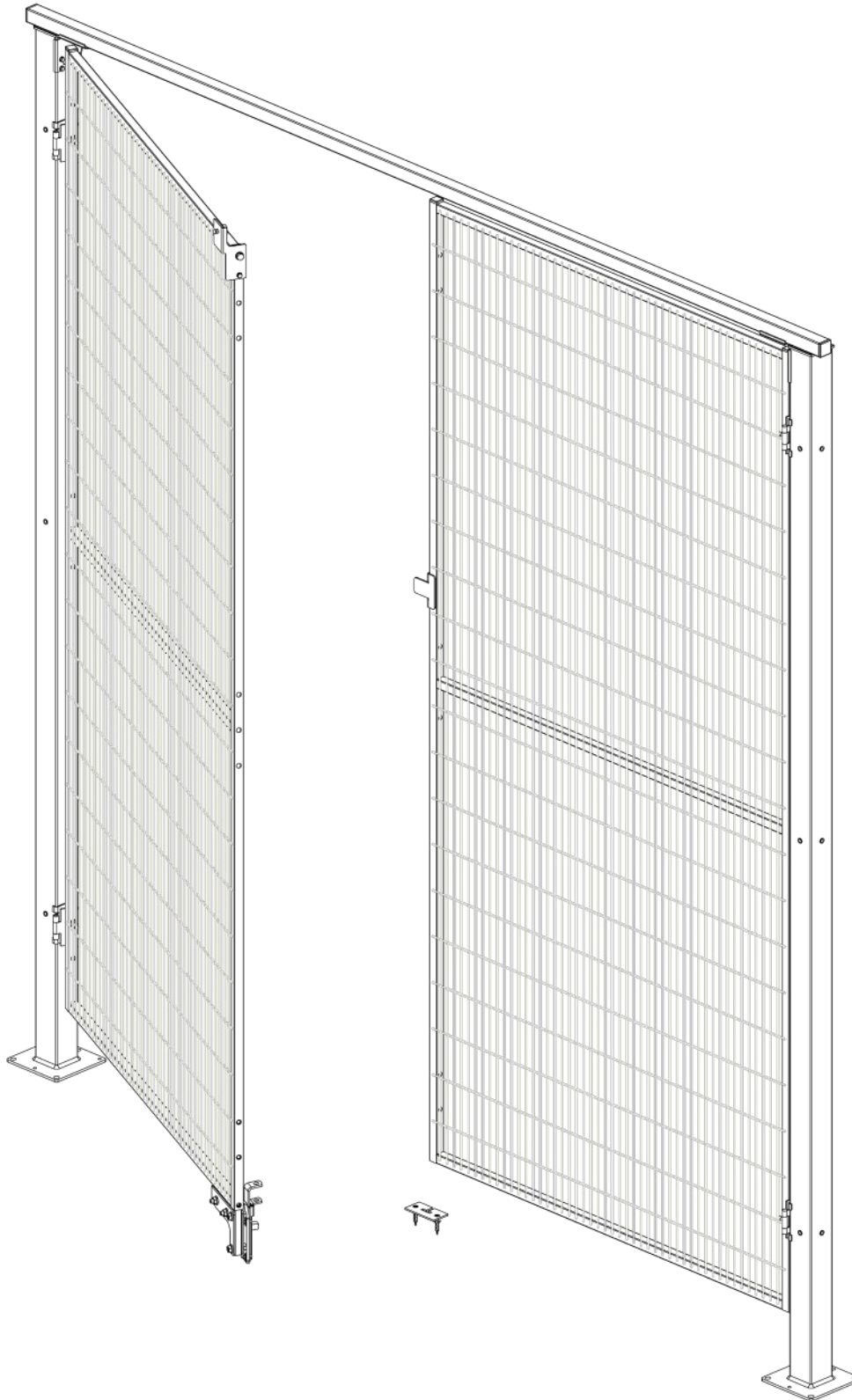
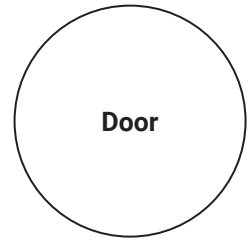


DOUBLE LEAF

Hinged Door

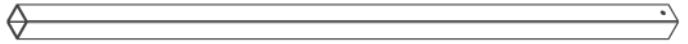
ASSEMBLY INSTRUCTIONS



Double Leaf Hinged Door

ASSEMBLY INSTRUCTIONS

850106

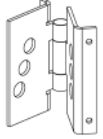


x 1

403000000000002

401100000000001 X2

220050_F05



x 2

220050_F04



x 2

400100000000001

ISO 10642 M8 X 45



x 2

ISO 10642 M8 X 16



x 2

ISO 4161 M8



x 2

401100000000004

220531



x 1

220530



x 1

390065



x 1

870020



x 1

7FERMS74A1



x 1

7DIST0200908NYN



x 2

401100000000002

220057A



x 2

903030



x 2

ISO 15480 Ø 4.8 x 16



x 8

400KFERTER

ISO 10642 M8 X 50



x 2

ISO 4017 M8 X 20



x 2

ISO 4762 M4 X 16



x 4

TPS CR4 X 40



x 2

TN 201 Ø6



x 2

ISO 7089 Ø8



x 2

ISO 7089 Ø4



x 4

ISO 4161 M8



x 2

ISO 4032 M4



x 4

40010000 0000002

ISO 4017 M8 X 30



x 2

ISO 7089 Ø8



x 2

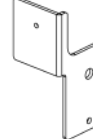
ISO 4161 M8



x 2

401100000000003

220039



x 1

220042



x 1

7MA385NE0220613



x 1

ISO 4017 M8 x 16



x 1

ISO 7089 Ø 8



x 1

ISO 4161 M8



x 1

ISO 4032 M5



x 2

DIN 1587 M5



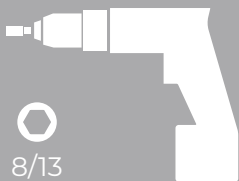
x 1

ISO 15480 Ø 4.8 x 16



x 3

Tools



8/13



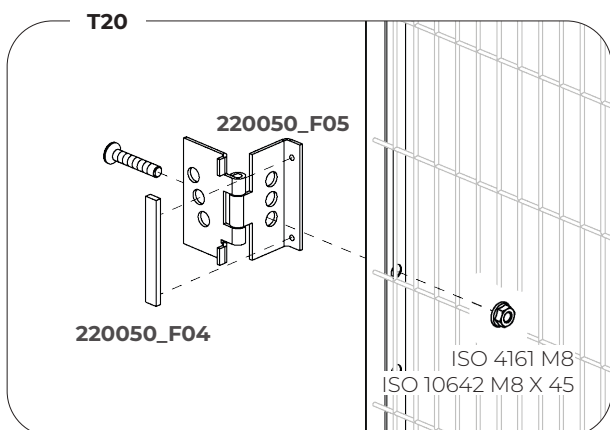
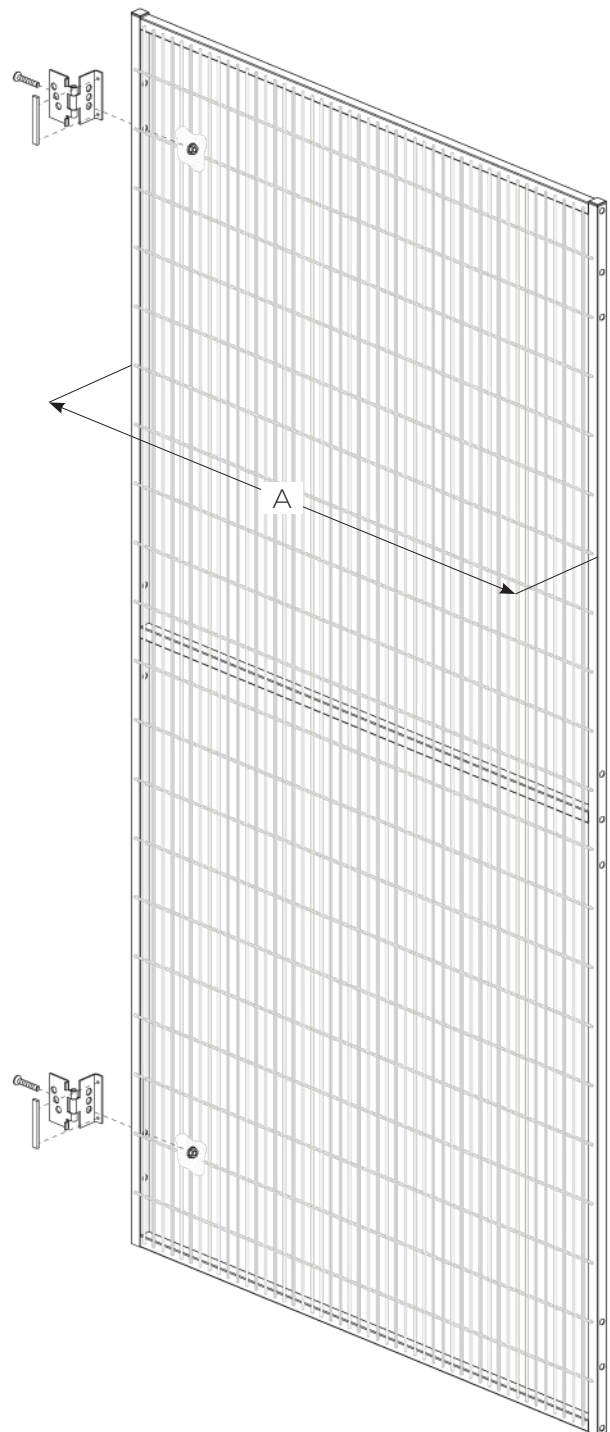
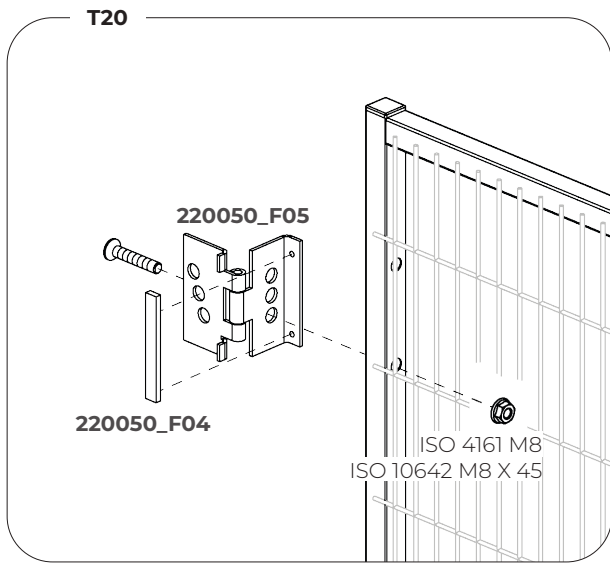
13



5

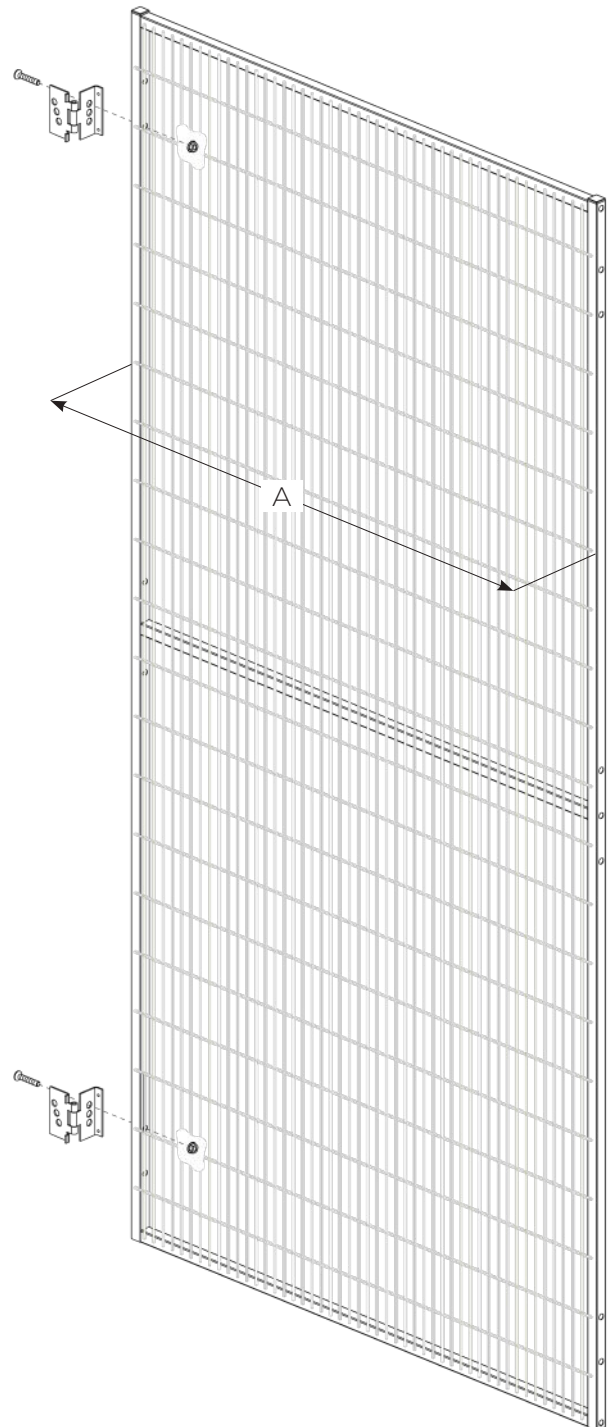
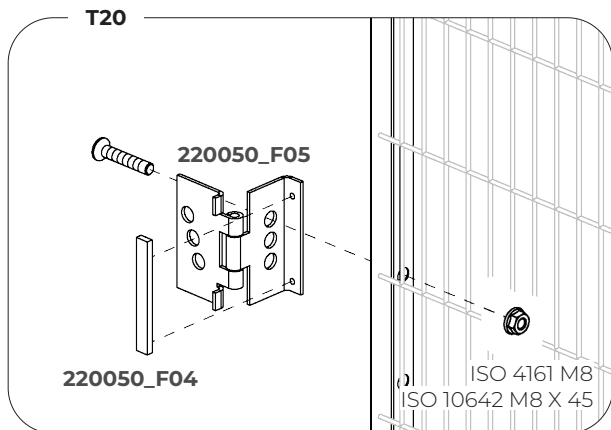
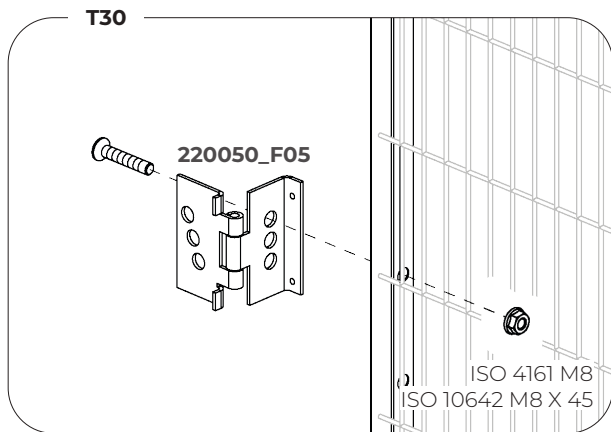
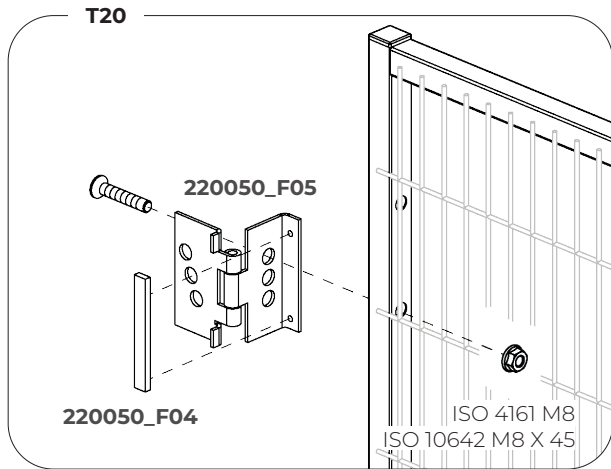
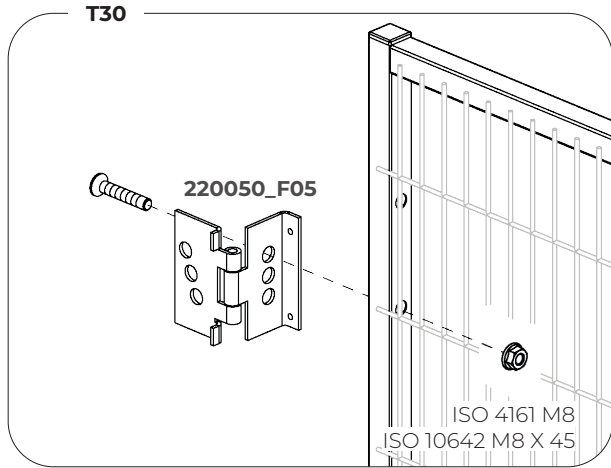
Double Leaf Hinged Door

ASSEMBLY INSTRUCTIONS - 40 mm POST



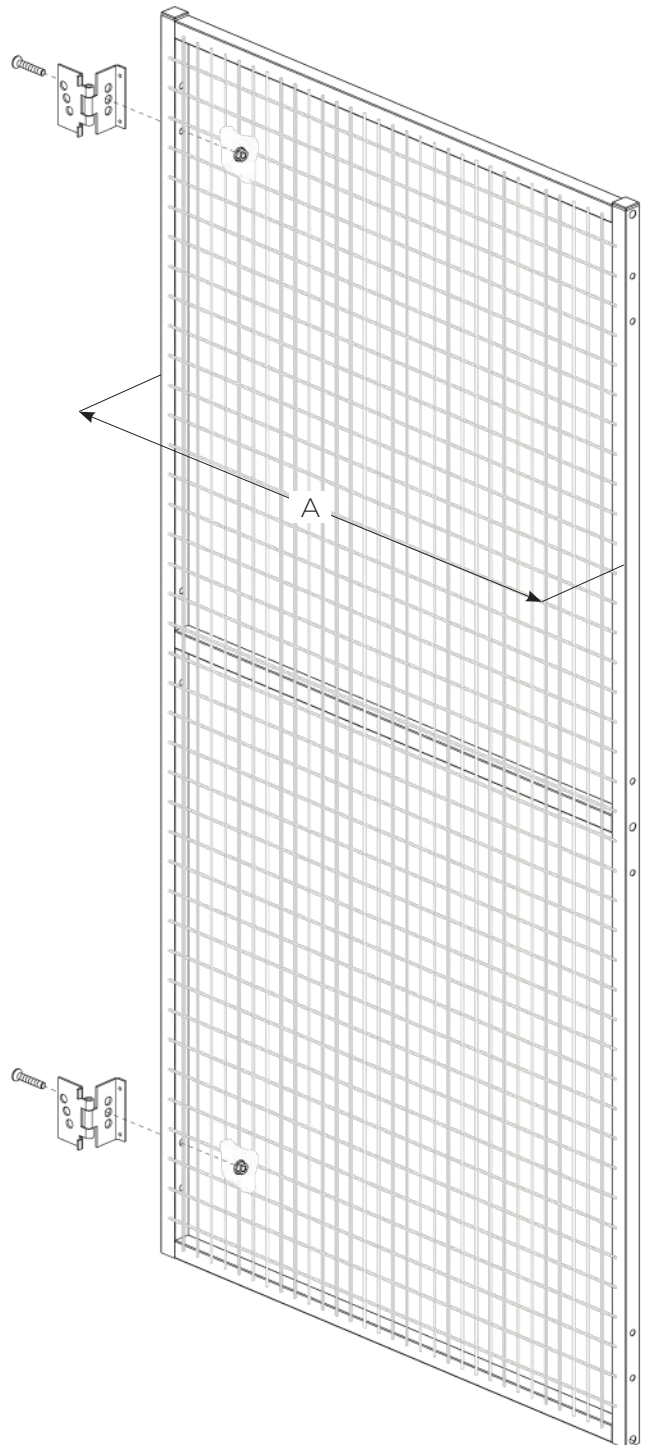
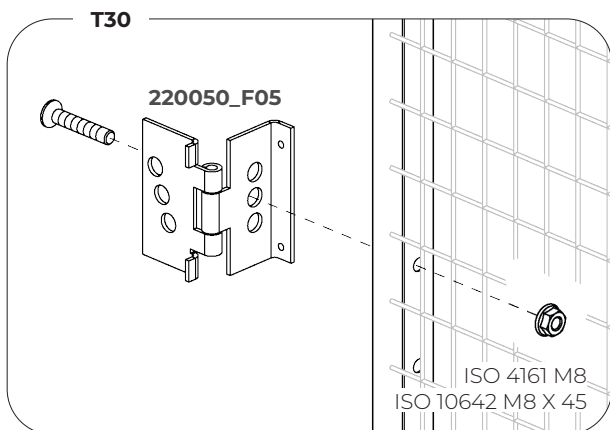
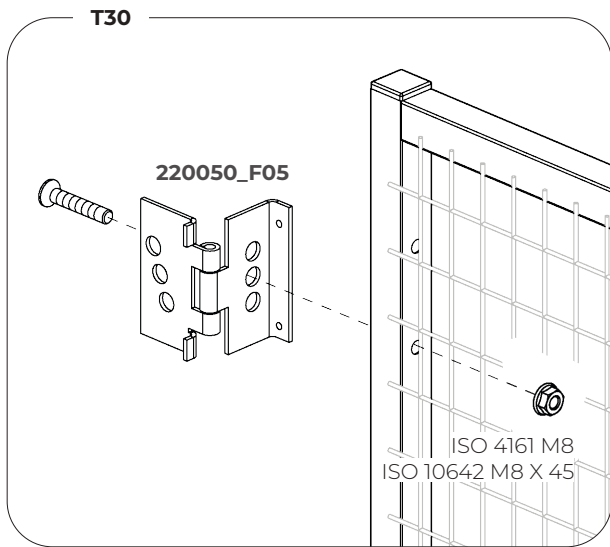
Double Leaf Hinged Door

ASSEMBLY INSTRUCTIONS - 60 mm POST



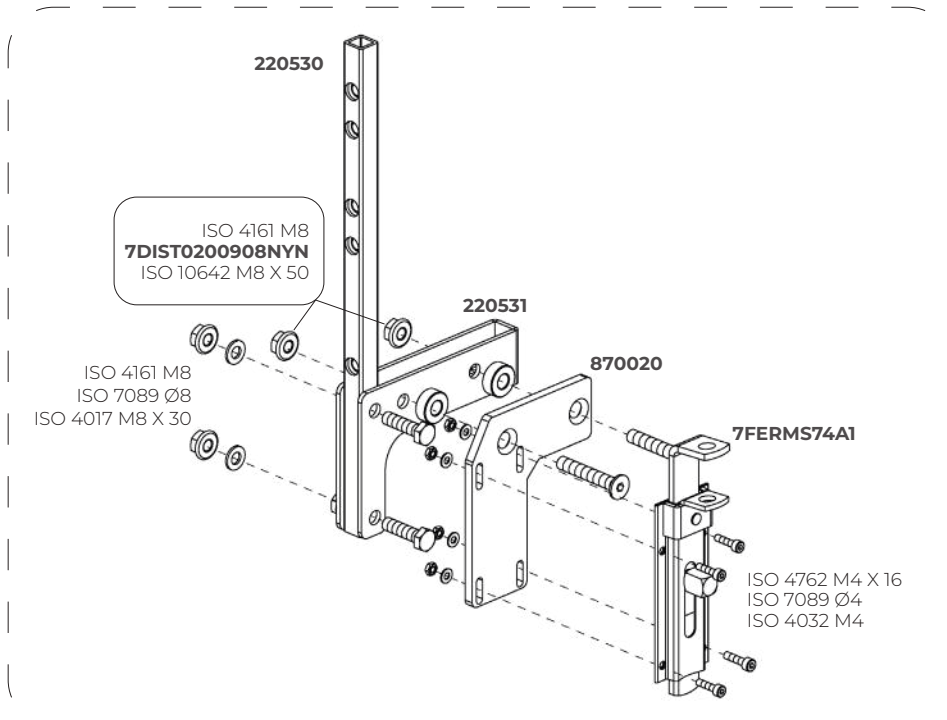
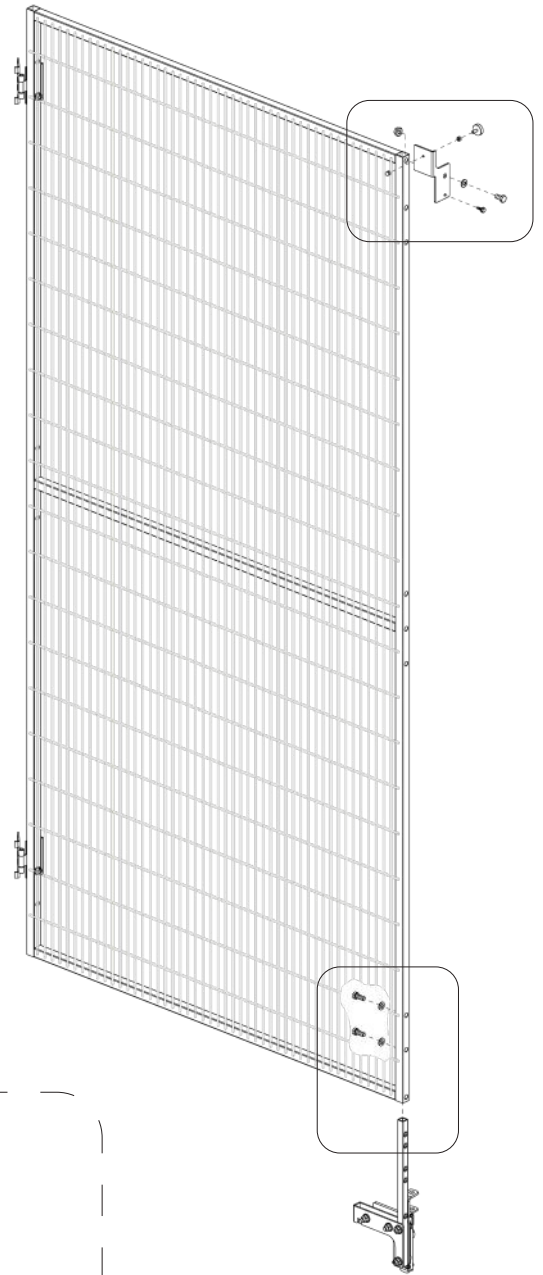
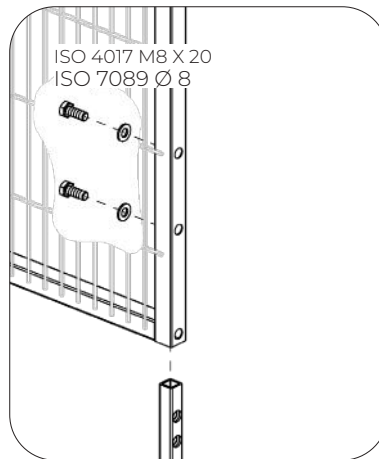
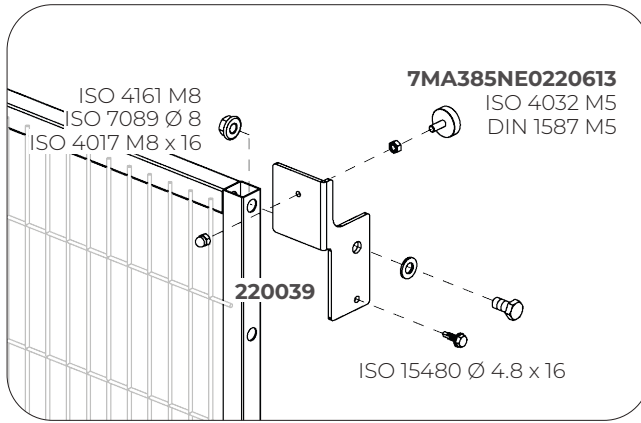
Double Leaf Hinged Door

ASSEMBLY INSTRUCTIONS - 50 mm POST



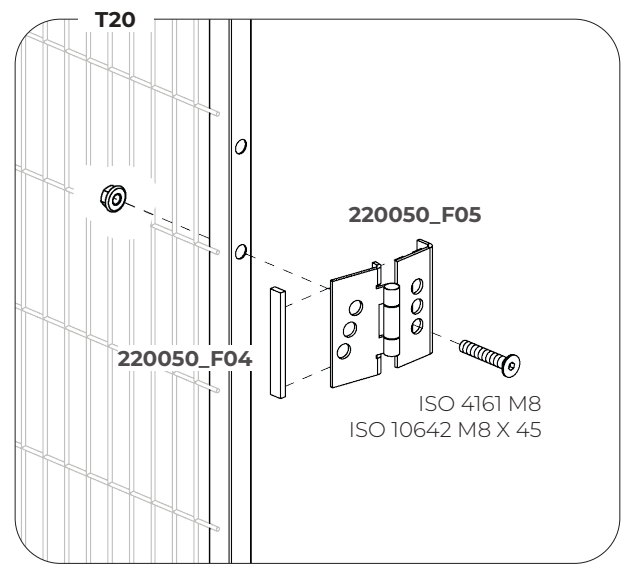
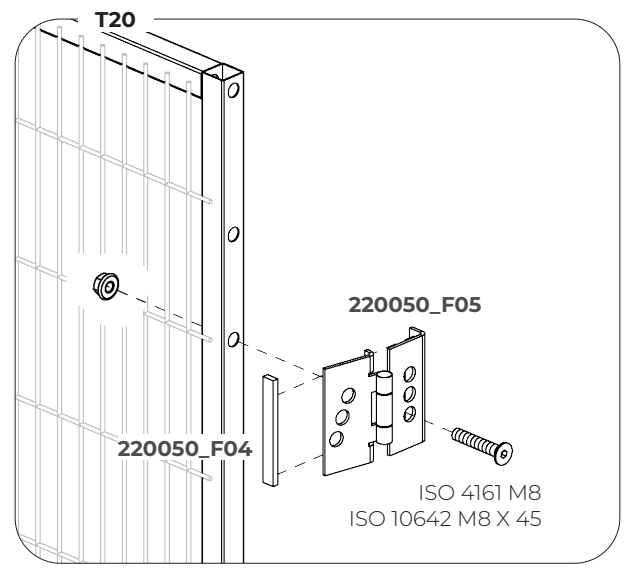
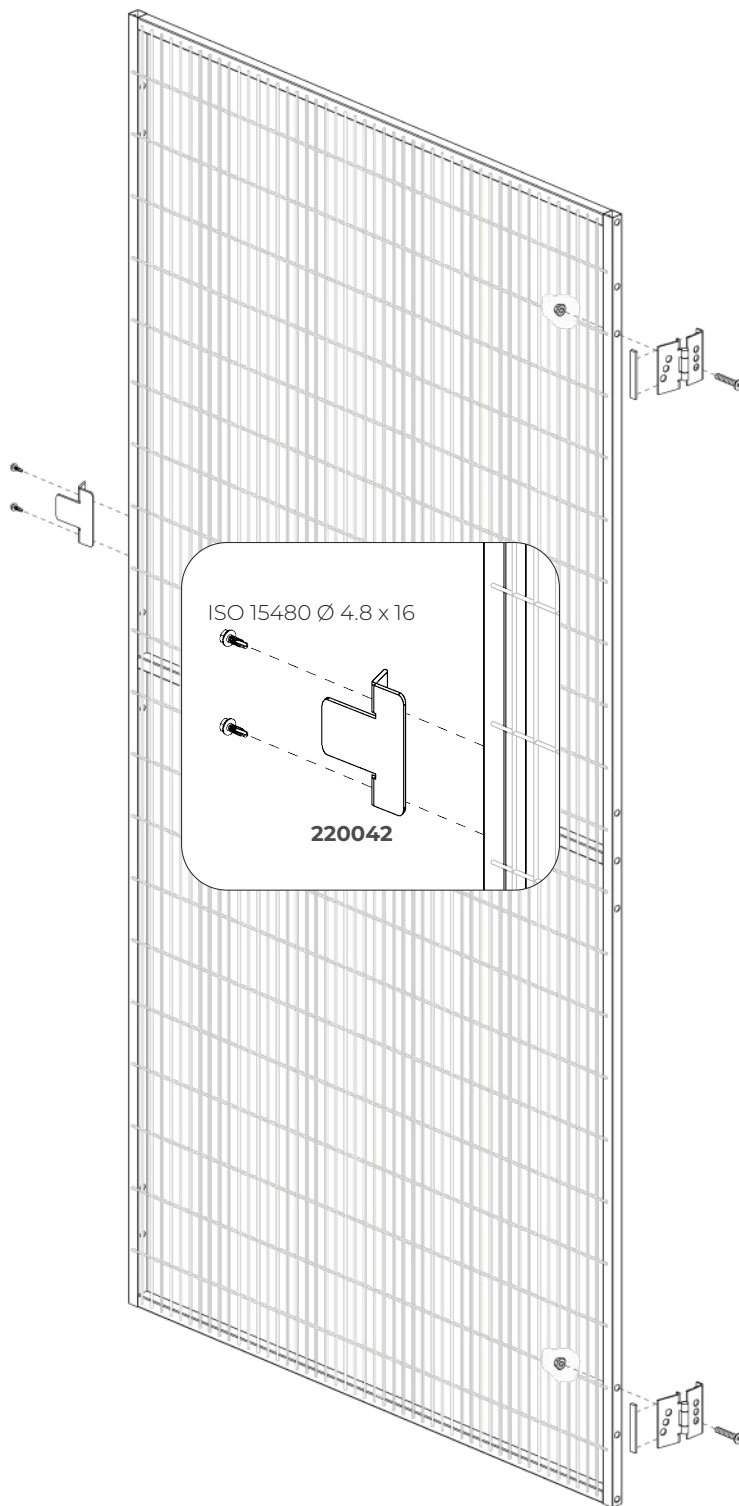
Double Leaf Hinged Door

ASSEMBLY INSTRUCTIONS



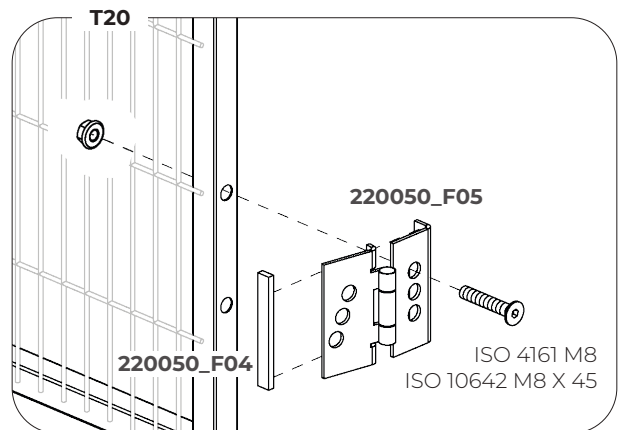
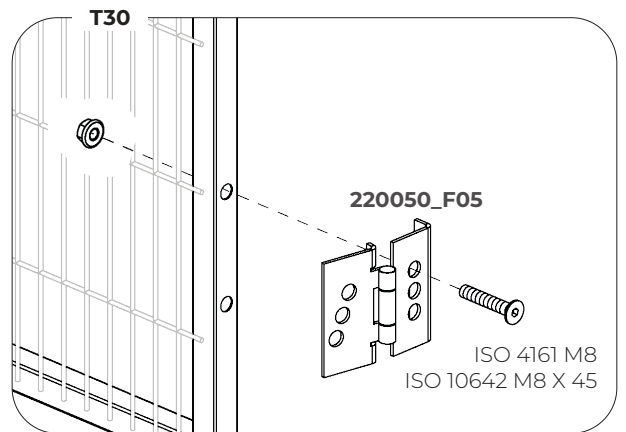
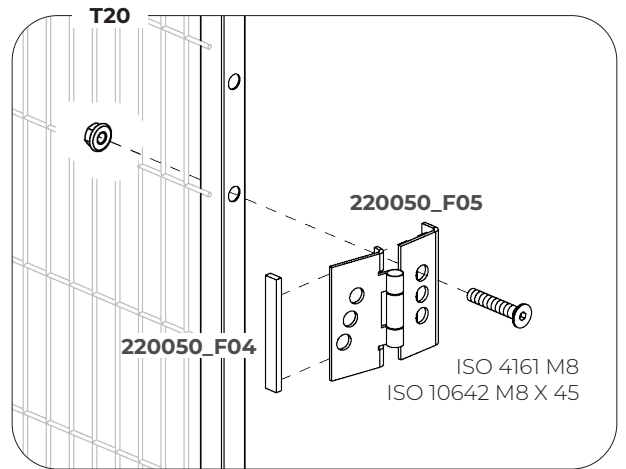
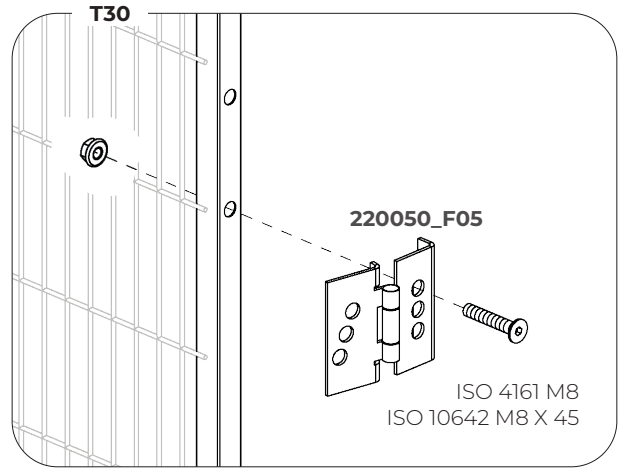
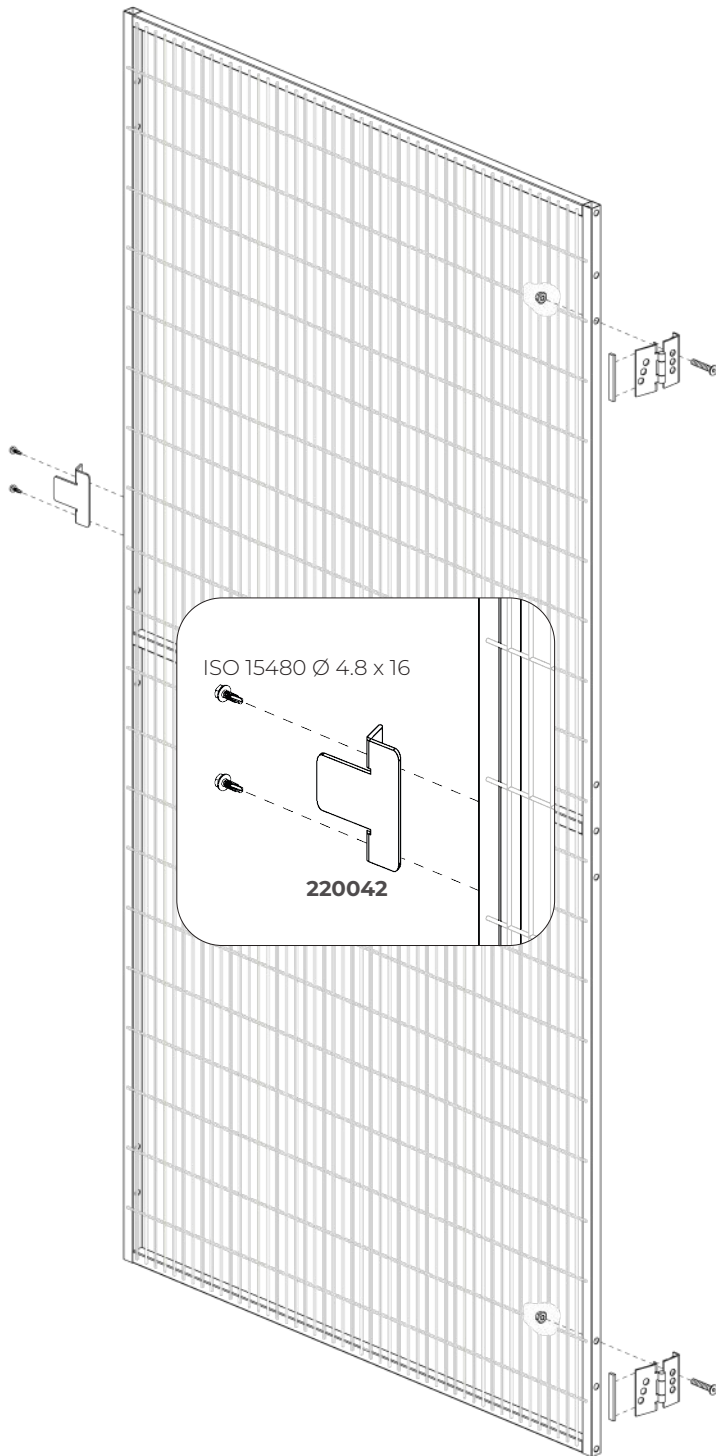
Double Leaf Hinged Door

ASSEMBLY INSTRUCTIONS - 40 mm POST



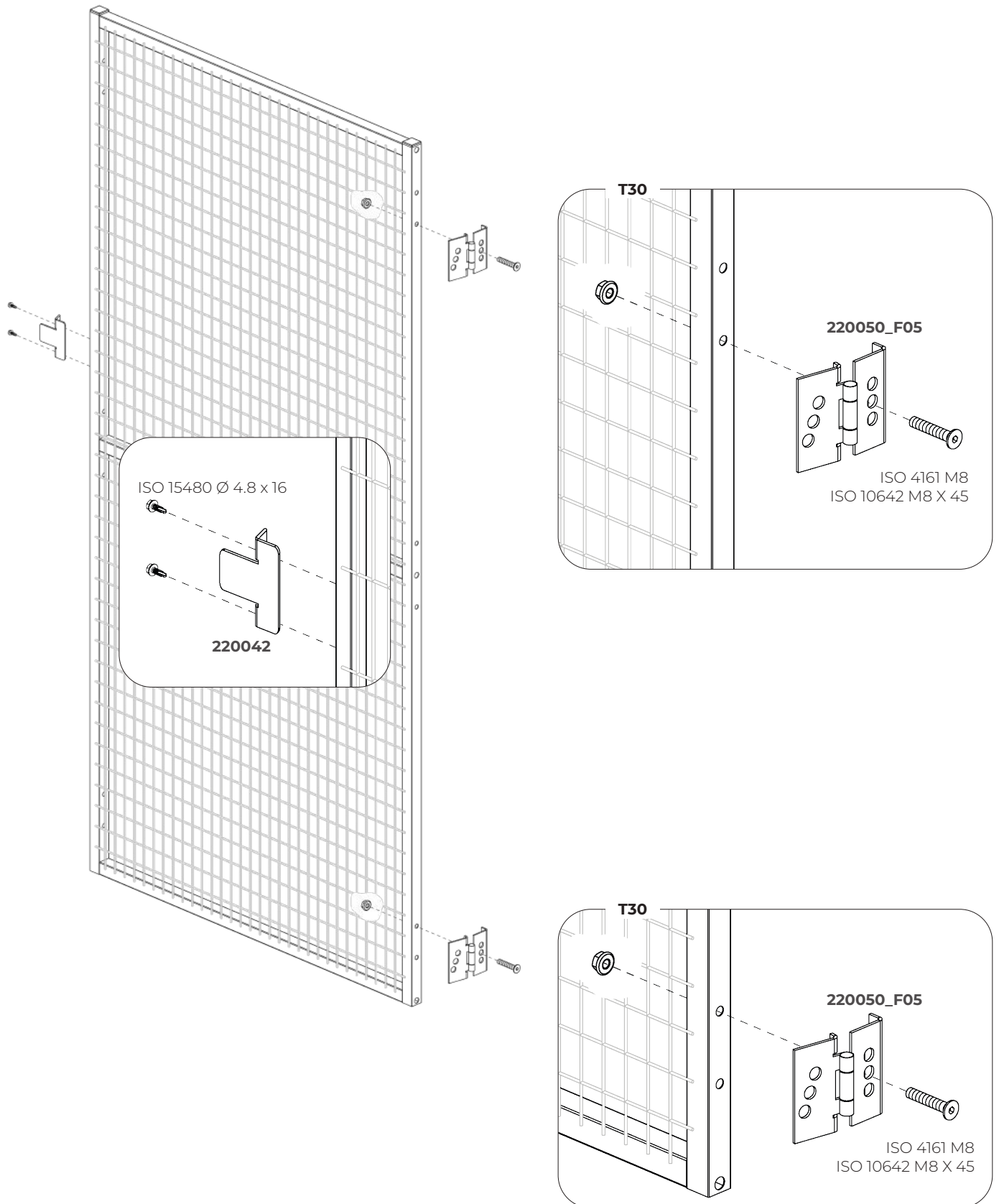
Double Leaf Hinged Door

ASSEMBLY INSTRUCTIONS - 60 mm POST



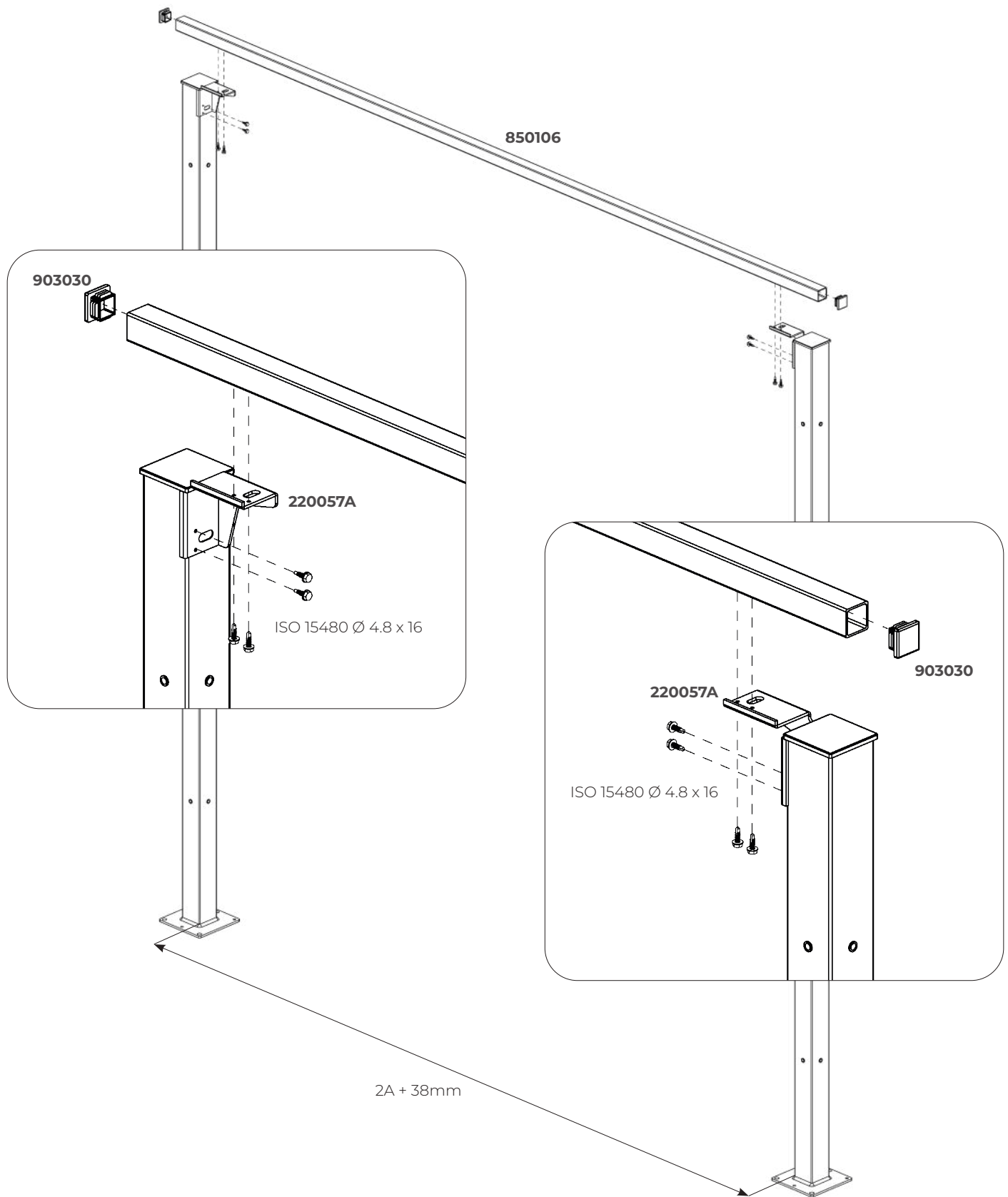
Double Leaf Hinged Door

ASSEMBLY INSTRUCTIONS - 50 mm POST



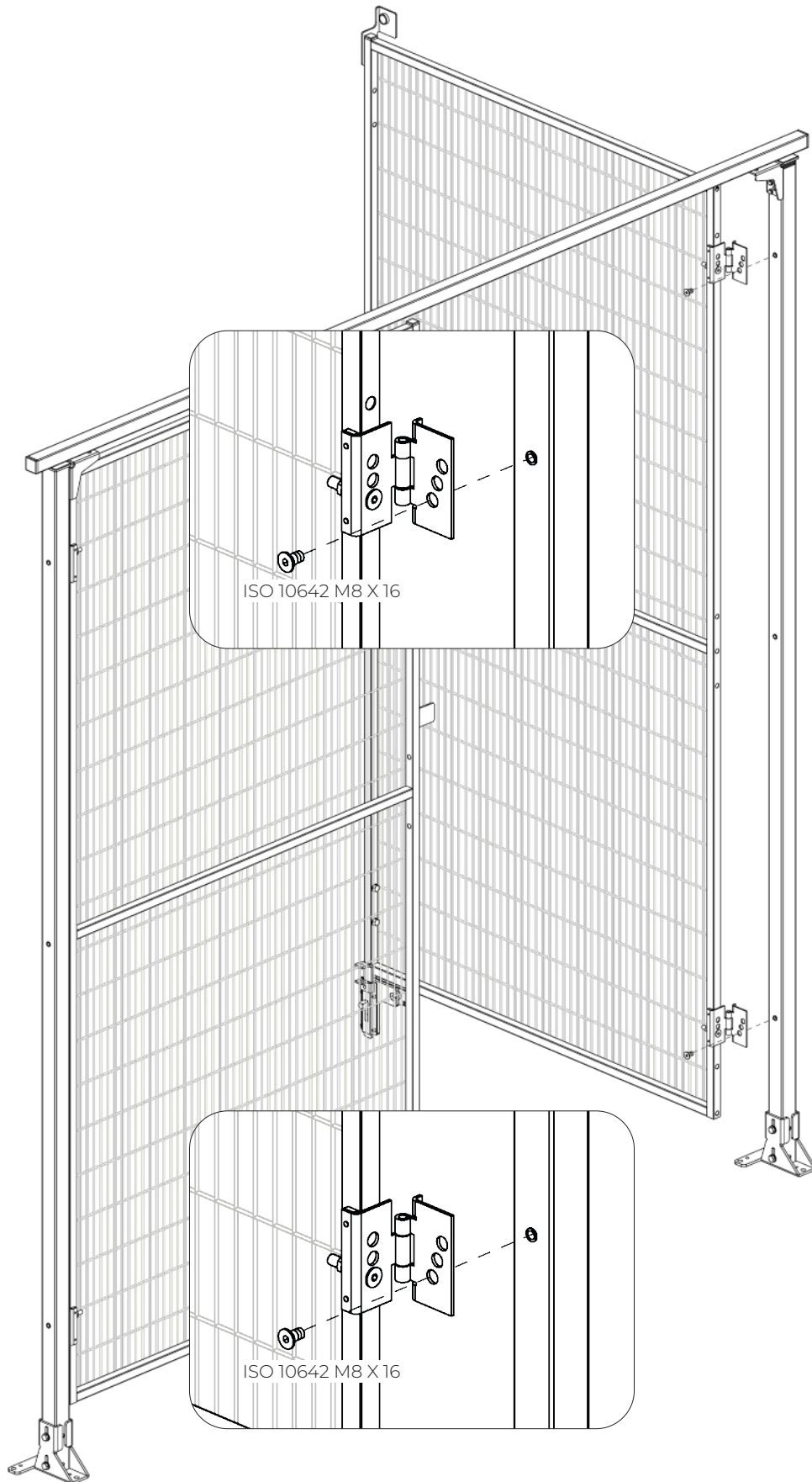
Double Leaf Hinged Door

ASSEMBLY INSTRUCTIONS



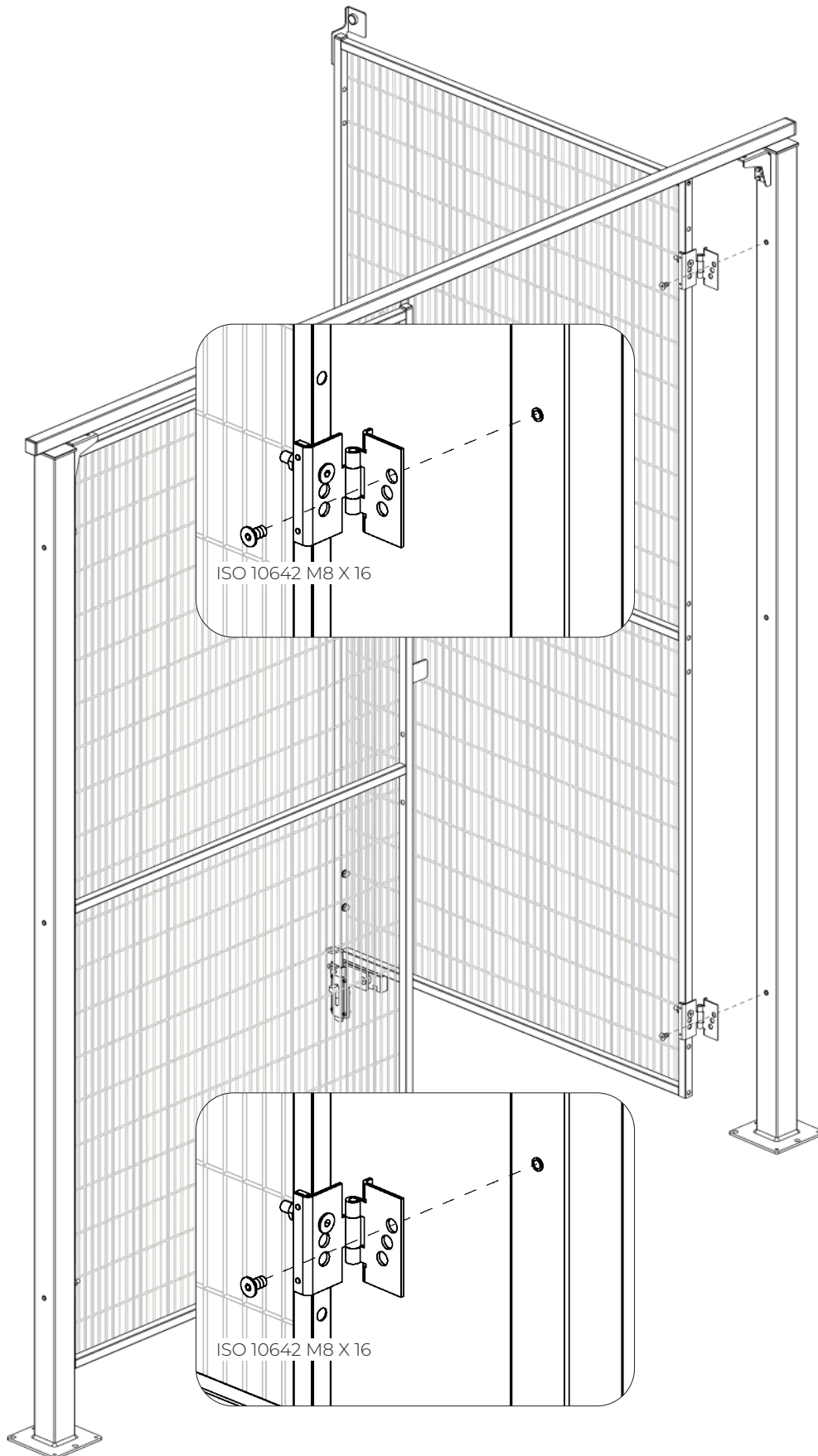
Double Leaf Hinged Door

ASSEMBLY INSTRUCTIONS - 40 mm POST



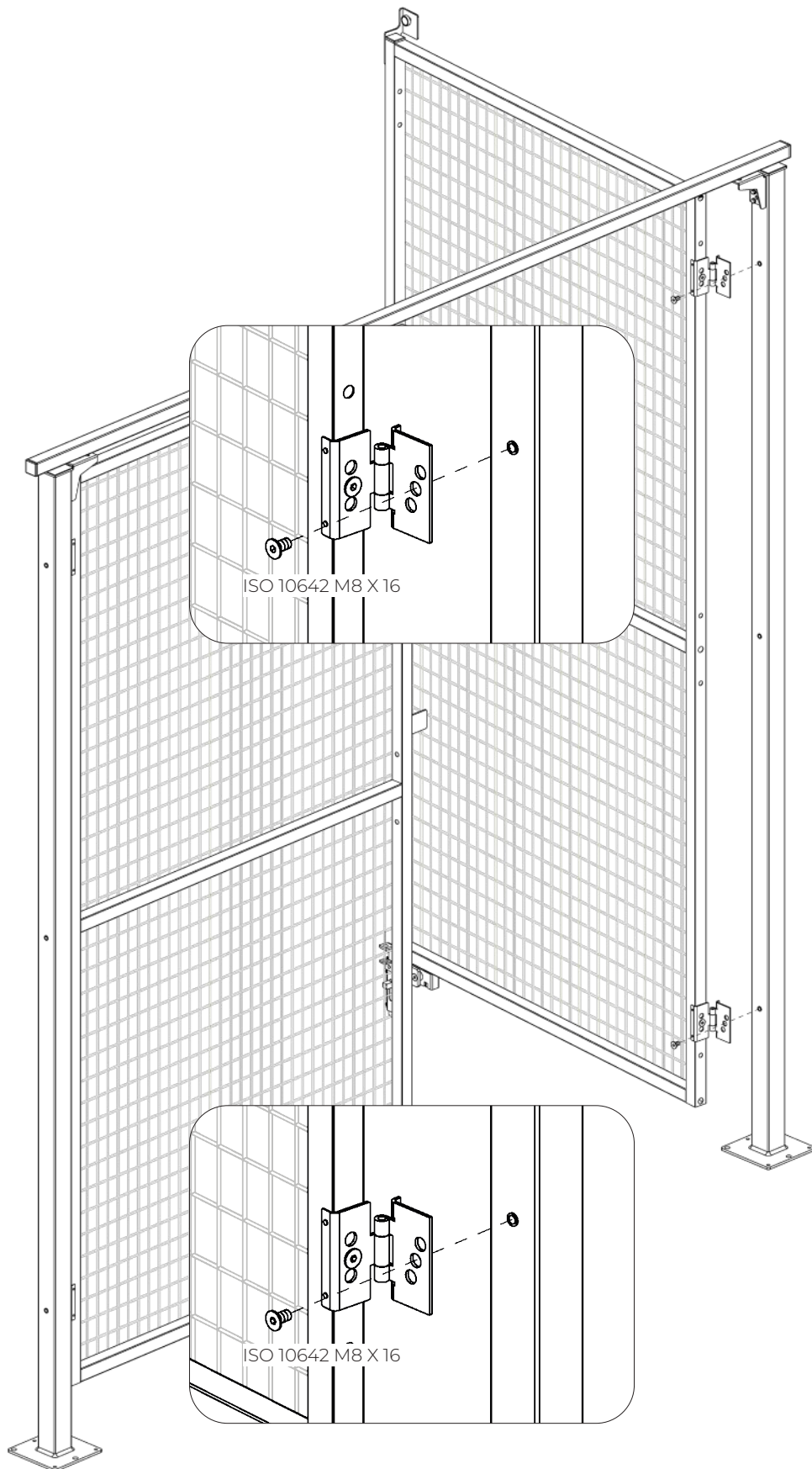
Double Leaf Hinged Door

ASSEMBLY INSTRUCTIONS - 60 mm POST



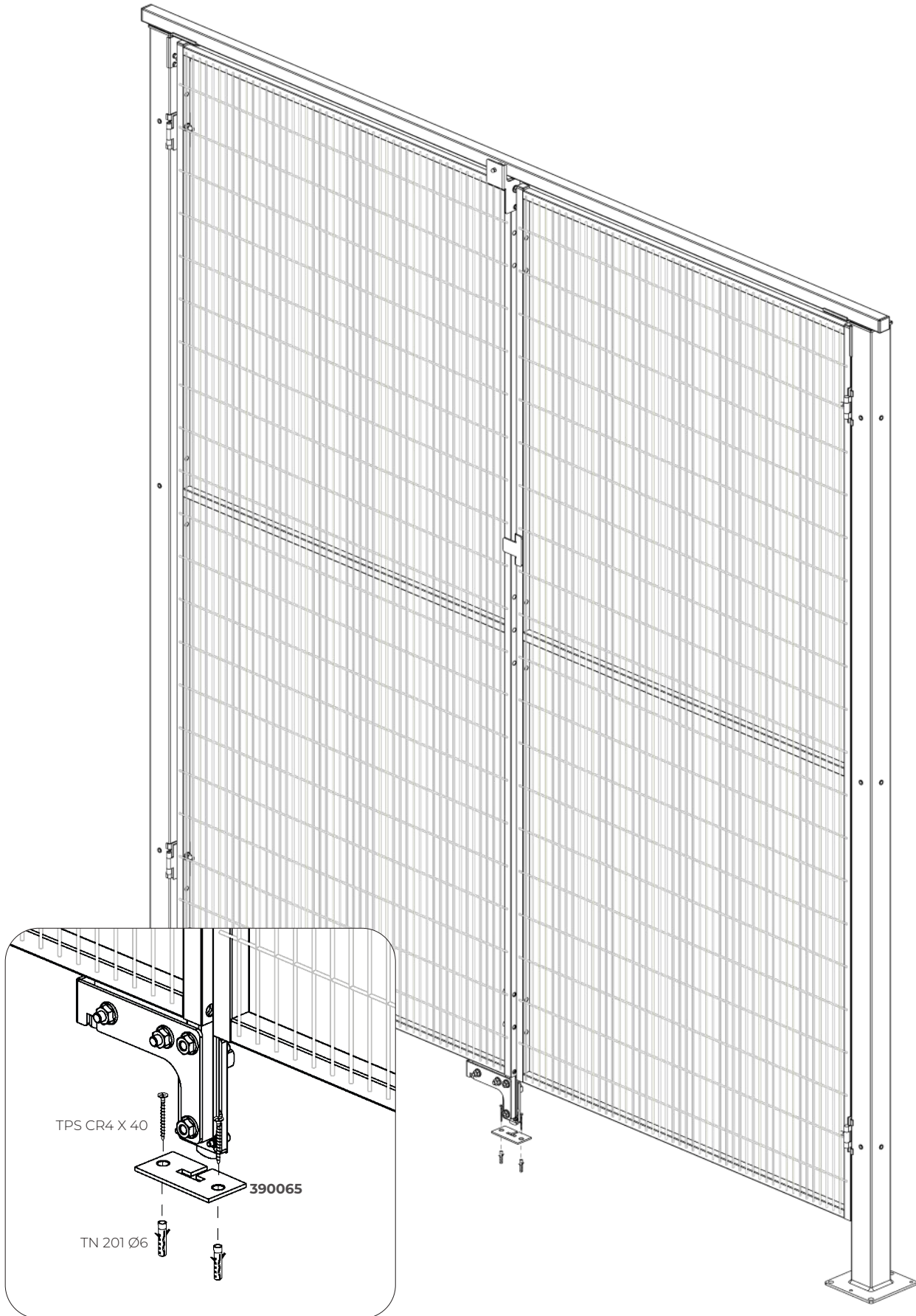
Double Leaf Hinged Door

ASSEMBLY INSTRUCTIONS - 50 mm POST



Double Leaf Hinged Door

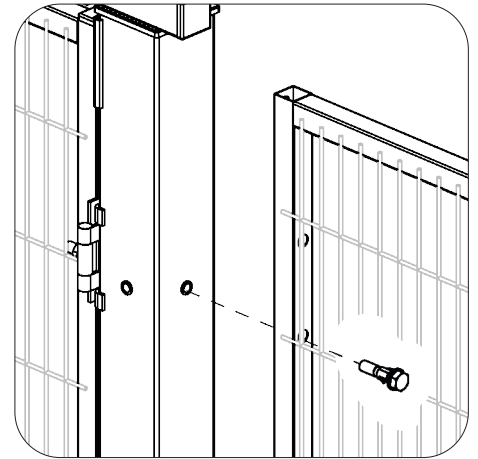
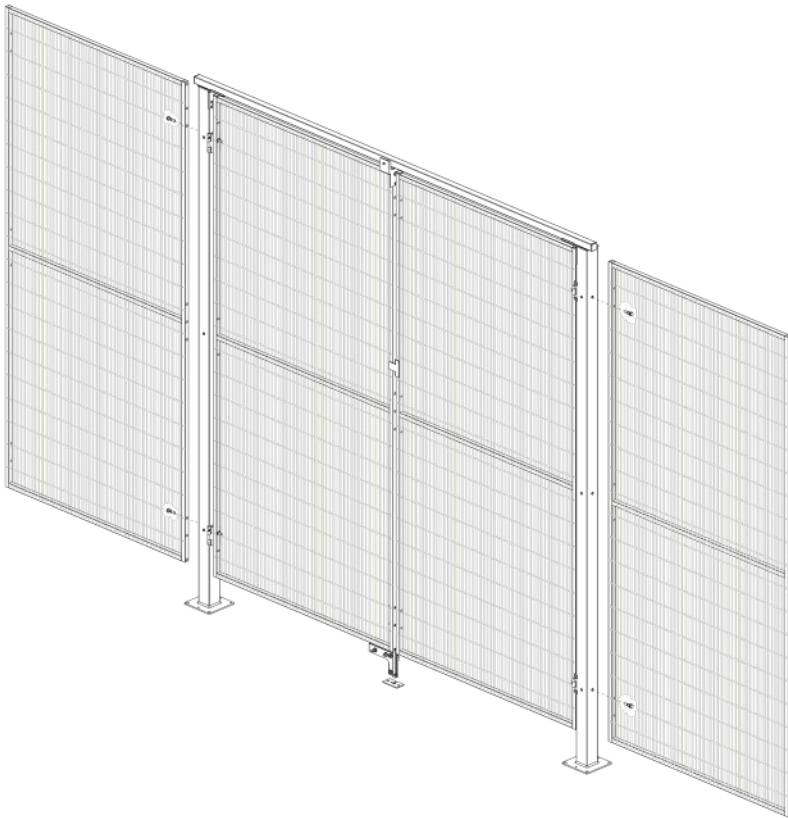
ASSEMBLY INSTRUCTIONS



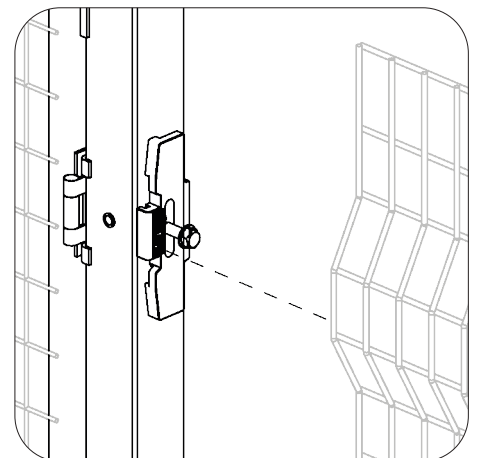
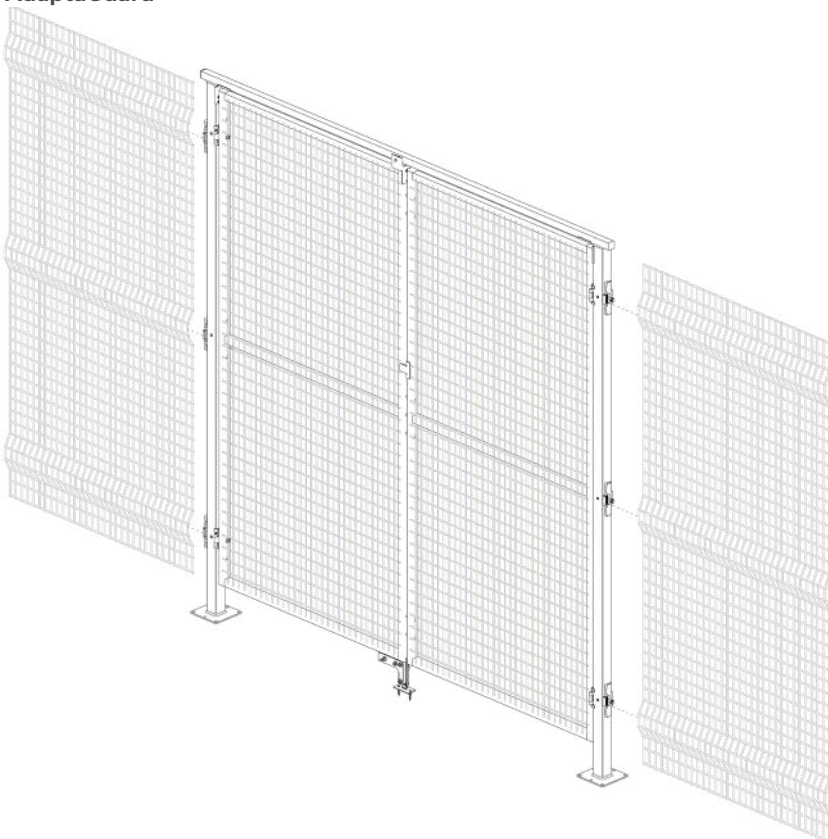
Double Leaf Hinged Door

ASSEMBLY INSTRUCTIONS - LINEAR

ImpactGuard



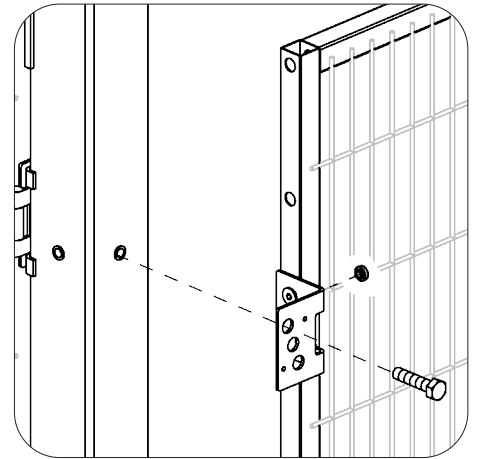
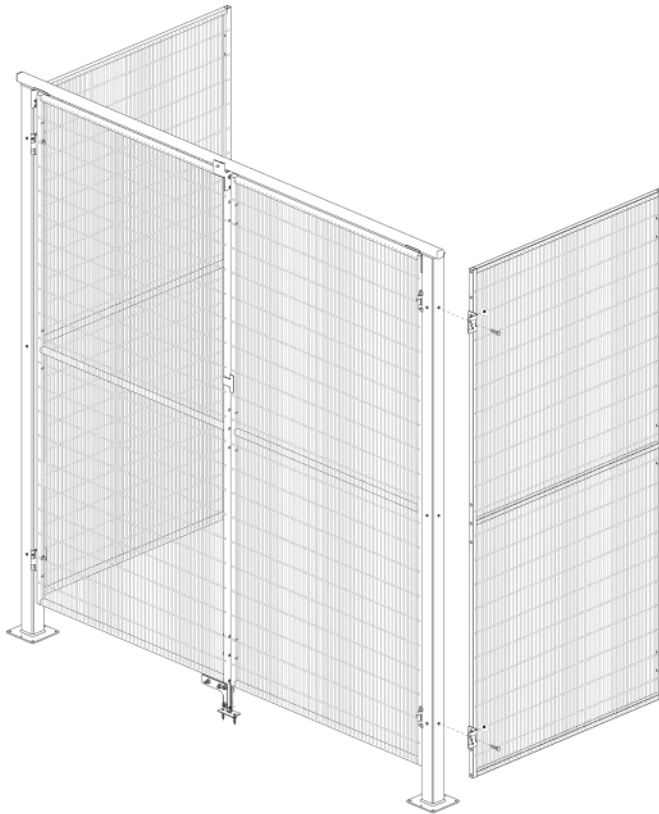
AdaptaGuard



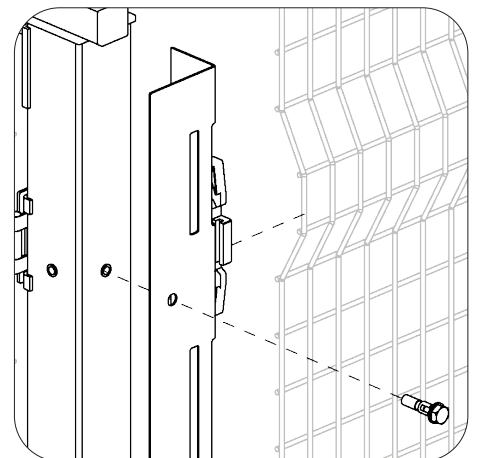
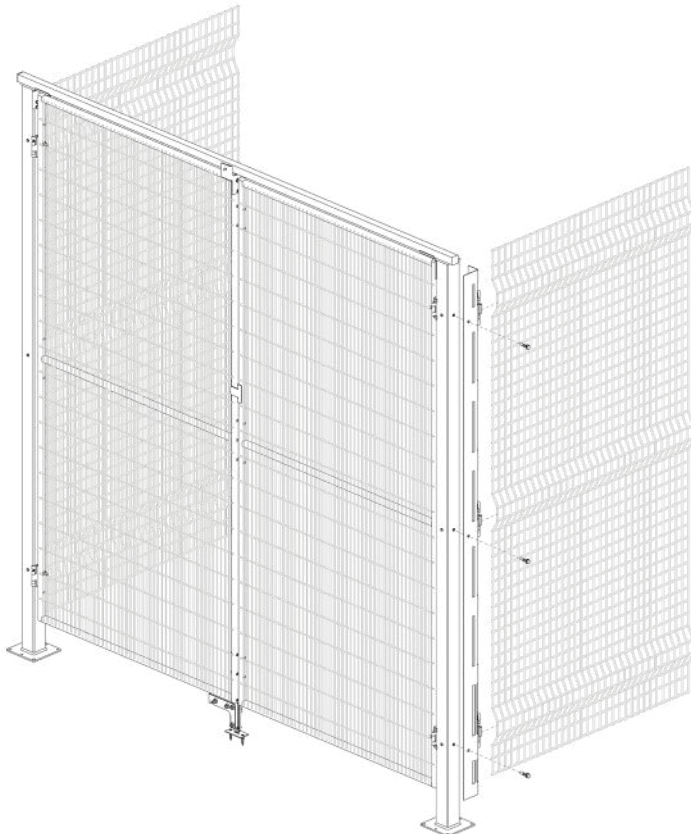
Double Leaf Hinged Door

ASSEMBLY INSTRUCTIONS - ANGULAR

ImpactGuard



AdaptaGuard



Double Leaf **Hinged Door**
ASSEMBLY INSTRUCTIONS - NOTES

A large grid area for taking notes, consisting of many small squares. The grid is approximately 30 columns wide and 40 rows high, with rounded corners on the top and bottom edges.

Modular Machine Guards that fit your needs.

Tailor-made solutions for the safety of operators and machinery



Protecting workers and machinery is paramount to create a safe and productive work environment. Satech Modular Machine Guards Systems, Doors and Accessories provide tailor-made solutions for any machinery layout need. **3 framed Systems, 2 frameless Systems and more than 150 Locks/Interlocks** ensure the maximum level of protection (PL) when accessing hazard areas for inspection or machinery maintenance.

Perimeter Protection Machine Safety Guards compliant with European and International Standards

Satech Machine Guards are manufactured in compliance with the **EN ISO 14120** standard, "General requirements for the design and construction of fixed and movable guards". They can be installed at a minimum distance of **120 mm from hazard** (as for EN ISO 13857), saving you plenty of layout space.

All Satech products are manufactured with **quality materials** and are highly durable. Mesh panels and other panel solutions can be easily and rapidly connected to posts (with captive retained fastenings, as for 2006/42/CE - Machinery Directive), which allows you to greatly **reduce assembly time**.

Founded in 2000, Satech was the first Italian Perimeter Guards Manufacturer. A **modern international company** today, in our 20+ years of work we have taken care of the safety of thousands of automated machinery systems and of millions of people worldwide. A **Safe Factory** is a **Productive One**.



Need help with this manual?

If you need additional specs, tips or manuals, please call our **Customer Service** at

+39 031 86230 85

SATECH
Modular Machine Guards

Satech Safety Technology SpA

Via Conte Taverna, 1
I-23892 Bulciago (LC)
Phone +39 031 86230 11



CERTIFIED
ISO 9001
ISO 14001
ISO 45001

