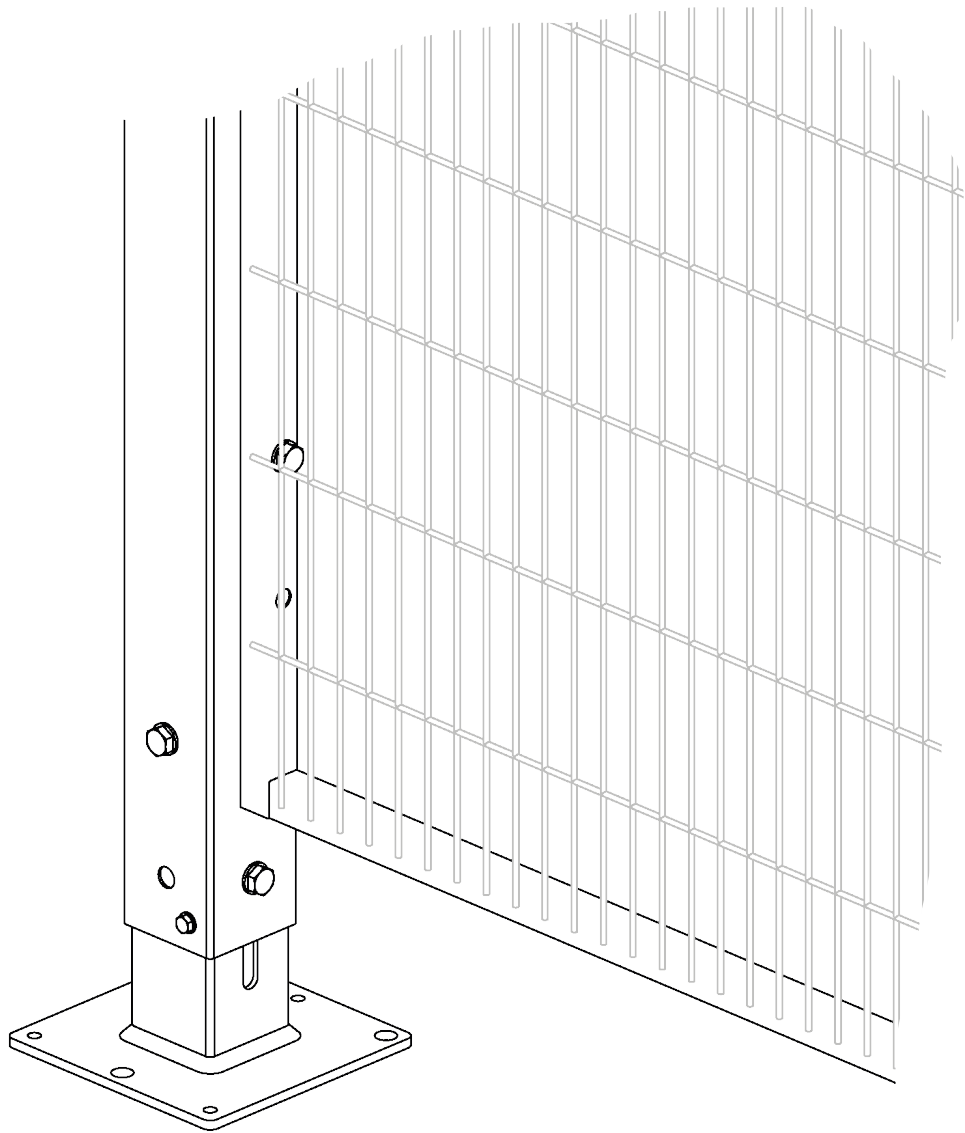


# ImpactGuard 60

EXTENDED ADJUSTABLE BASEPLATE -  
ASSEMBLY INSTRUCTIONS

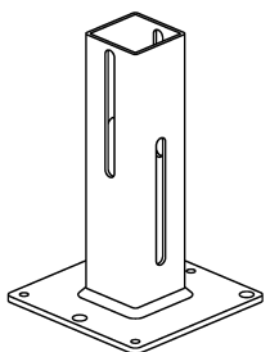
Accessory



# ImpactGuard 60

## EXTENDED ADJUSTABLE BASEPLATE - ASSEMBLY INSTRUCTIONS

220703



x 1

### SCREWS KIT

ISO 4017 M8 x 70



x 2

ISO 7089 Ø 8



x 2

ISO 4161 M8



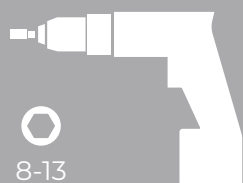
x 2

ISO 15480 Ø 4.8 x 16



x 1

### Tools



8-13



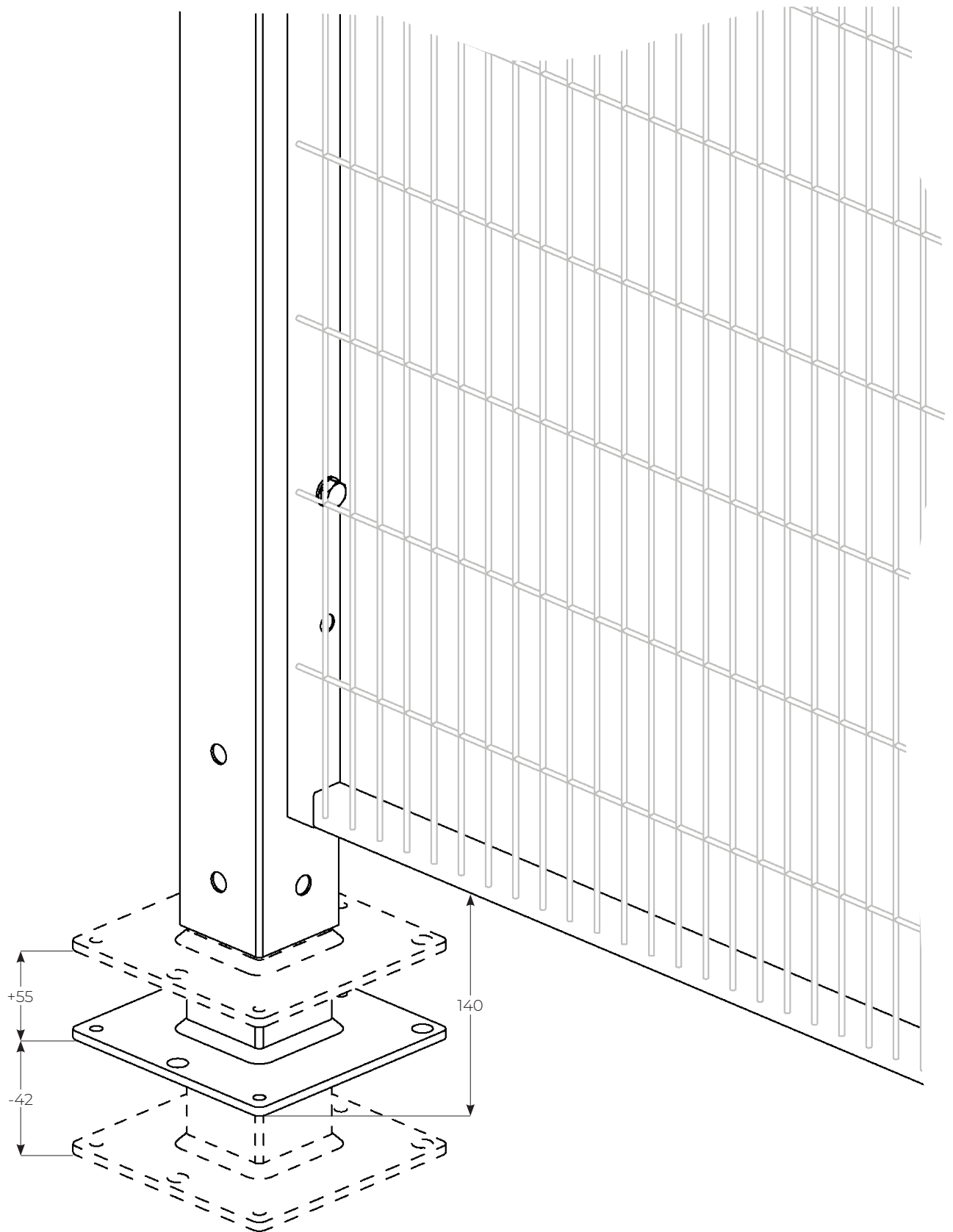
13



Ø 4.5

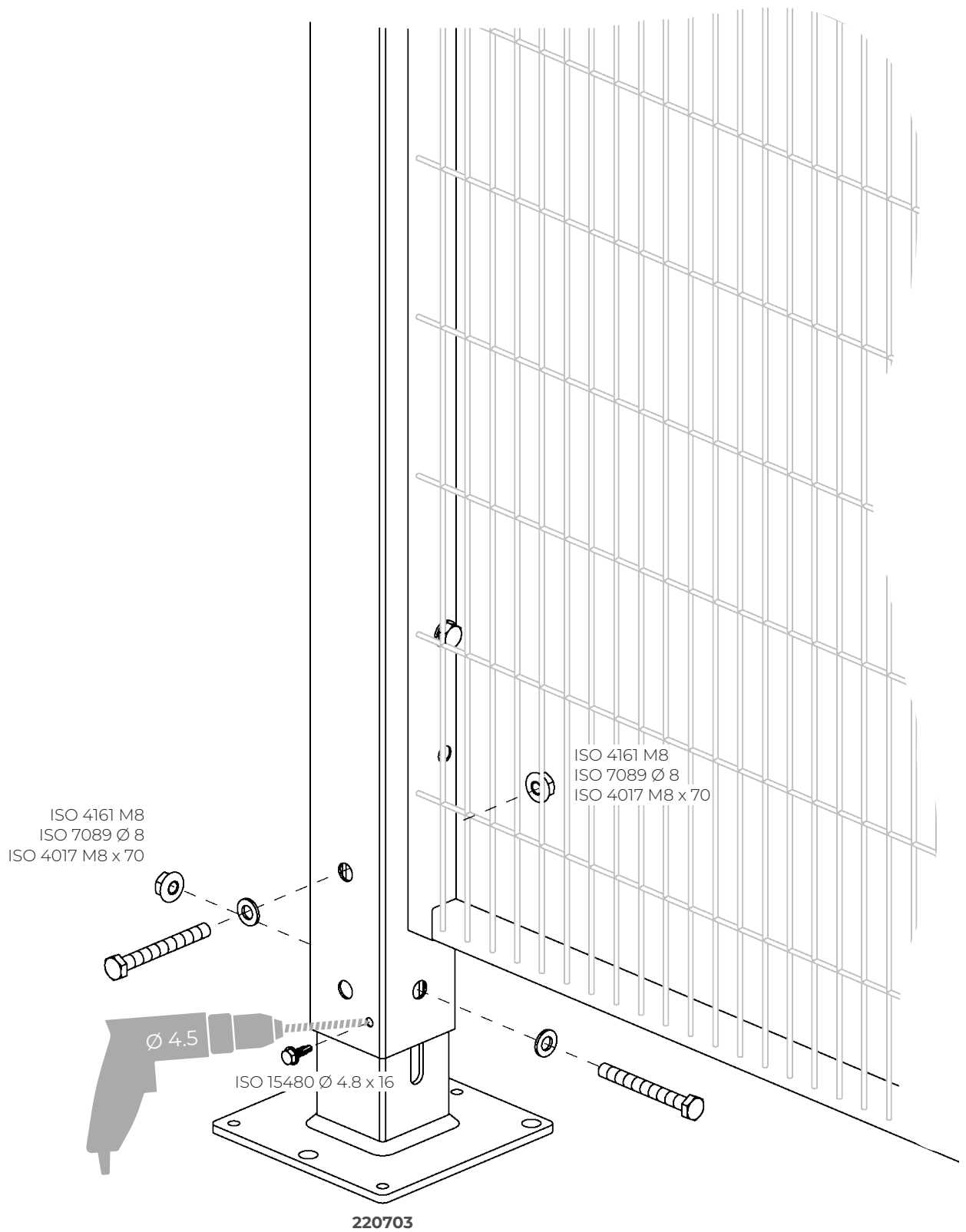
# ImpactGuard 60

## EXTENDED ADJUSTABLE BASEPLATE - ASSEMBLY INSTRUCTIONS



# ImpactGuard 60

## EXTENDED ADJUSTABLE BASEPLATE - ASSEMBLY INSTRUCTIONS



ImpactGuard 60  
NOTES

A large grid of graph paper for taking notes, consisting of 30 columns and 40 rows of small squares. The grid is empty and occupies the majority of the page.

# Modular Machine Guards that fit your needs.

Tailor-made solutions for the safety of operators and machinery



Protecting workers and machinery is paramount to create a safe and productive work environment. Satech Modular Machine Guards Systems, Doors and Accessories provide tailor-made solutions for any machinery layout need.

**3 framed Systems, 2 frameless Systems and more than 150 Locks/Interlocks** ensure the maximum level of protection (PL) when accessing hazard areas for inspection or machinery maintenance.

## Perimeter Protection Machine Safety Guards compliant with European and International Standards

Satech Machine Guards are manufactured in compliance with the **EN ISO 14120** standard, "General requirements for the design and construction of fixed and movable guards". They can be installed at a minimum distance of **120 mm from hazard** (as for EN ISO 13857), saving you plenty of layout space.

All Satech products are manufactured with **quality materials** and are highly durable. Mesh panels and other panel solutions can be easily and rapidly connected to posts (with captive retained fastenings, as for 2006/42/CE - Machinery Directive), which allows you to greatly **reduce assembly time**.

Founded in 2000, Satech was the first Italian Perimeter Guards Manufacturer. A **modern international company** today, in our 20+ years of work we have taken care of the safety of thousands of automated machinery systems and of millions of people worldwide. A **Safe Factory** is a **Productive One**.



## Need help with this manual?

If you need additional specs, tips or manuals, please call our **Customer Service** at

**+39 031 86230 85**

**SATECH**  
Modular Machine Guards

Satech Safety Technology SpA

Via Conte Taverna, 1  
I-23892 Bulciago (LC)  
Phone +39 031 86230 11



**CERTIFIED**  
**ISO 9001**  
**ISO 14001**  
**ISO 45001**

