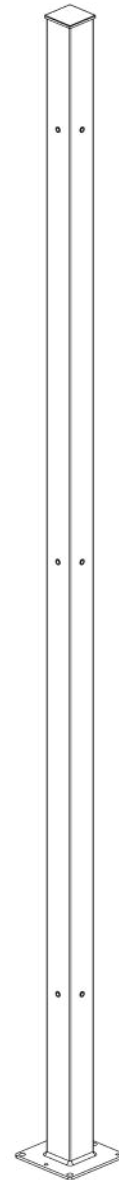
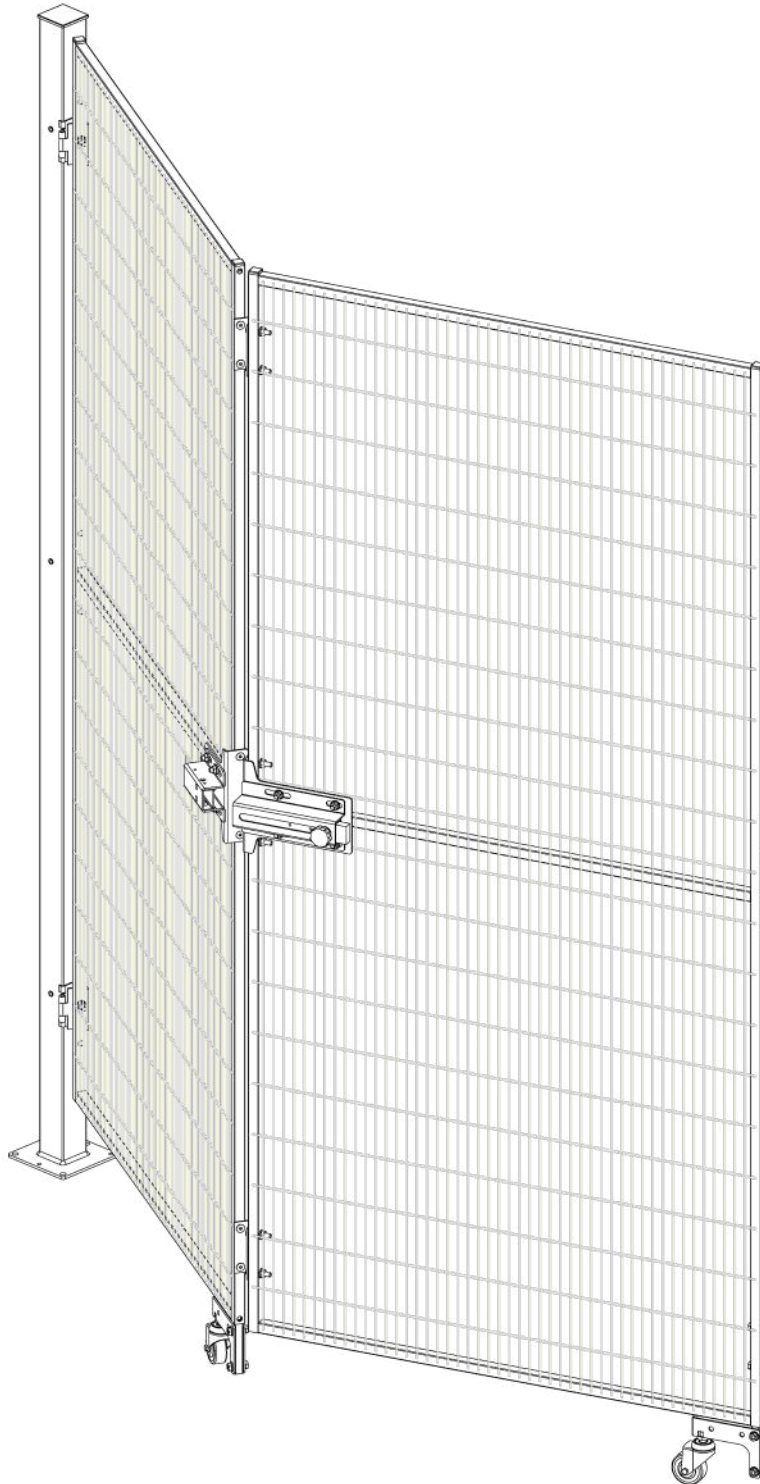
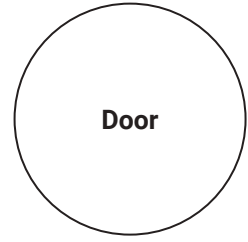


*SINGLE*

# Folding Door

ASSEMBLY INSTRUCTIONS



# Single Folding Door

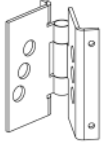
## ASSEMBLY INSTRUCTIONS

### 403000000000003

#### 401100000000001

220050\_F05

220050\_F04



x 2



x 2

#### 400100000000001

ISO 10642 M8 X 45

ISO 10642 M8 X 16

ISO 4161 M8



x 2



x 2



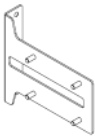
x 2

#### 4SKLK0BHC

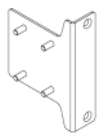
850151

850152

ISO 10642 M8 X 45



x 1



x 1



x 4

#### 4KCERAFO

810001

ISO 4161 M8



x 2



x 8

#### 4KLOCK0ABD

790323

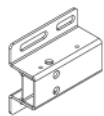
790322

790324

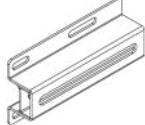
7POMCATASFERA

ISO 7093 Ø8 Ø24

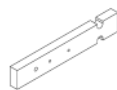
ISO 4161 M8



x 1



x 1



x 1



x 1



x 1



x 4

ISO 10642 M8 X 45



x 8

### 401100000000005 X2

7GIREV6022

220531

220530



x 1

ISO 7089 Ø 12



x 4



x 1

ISO 4035 M12



x 1



x 1

#### 400100000000002

ISO 4017 M8 X 30

ISO 4017 M8 X 20

ISO 7089 Ø8

ISO 4161 M8



x 2



x 2

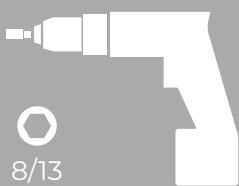


x 4



x 2

### Tools



8/13



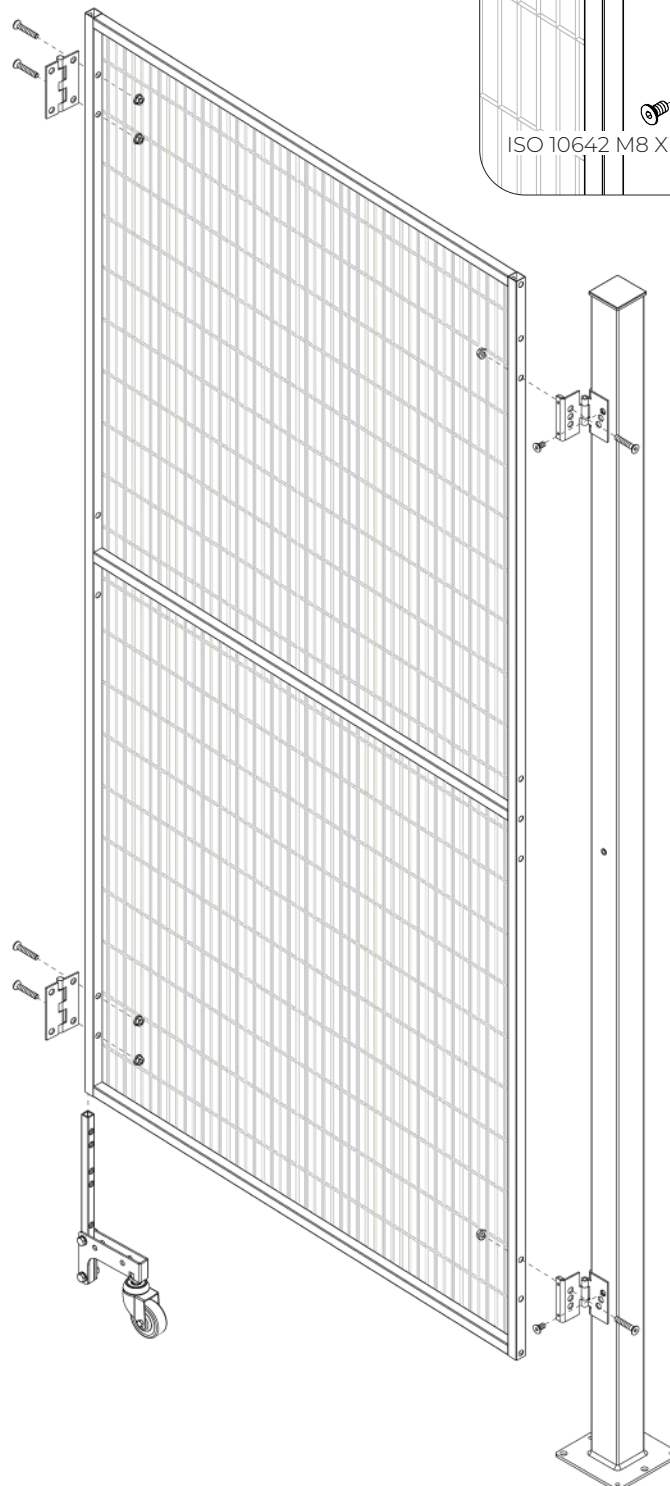
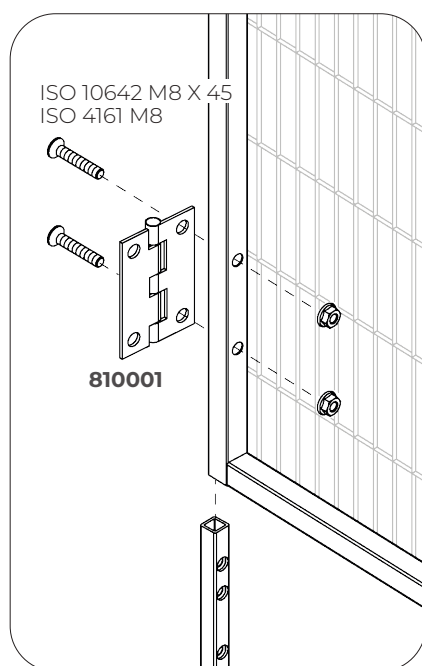
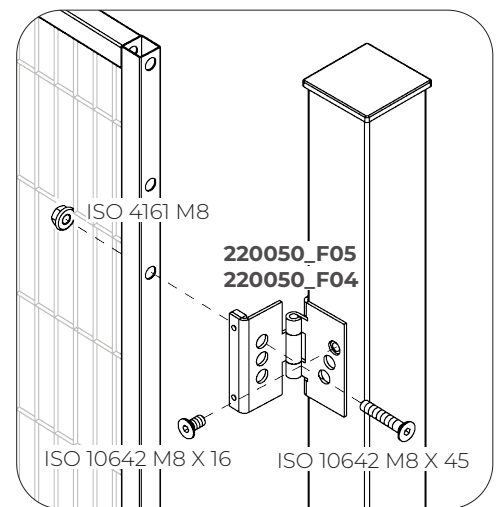
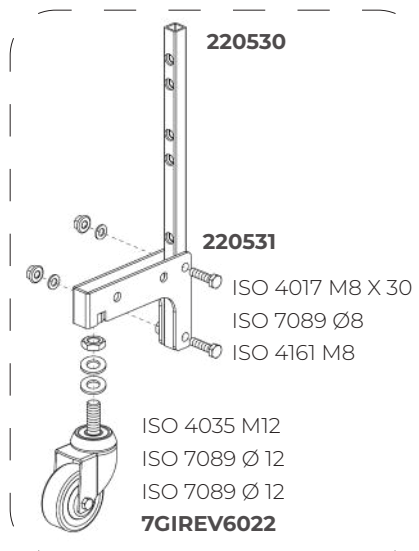
13



5

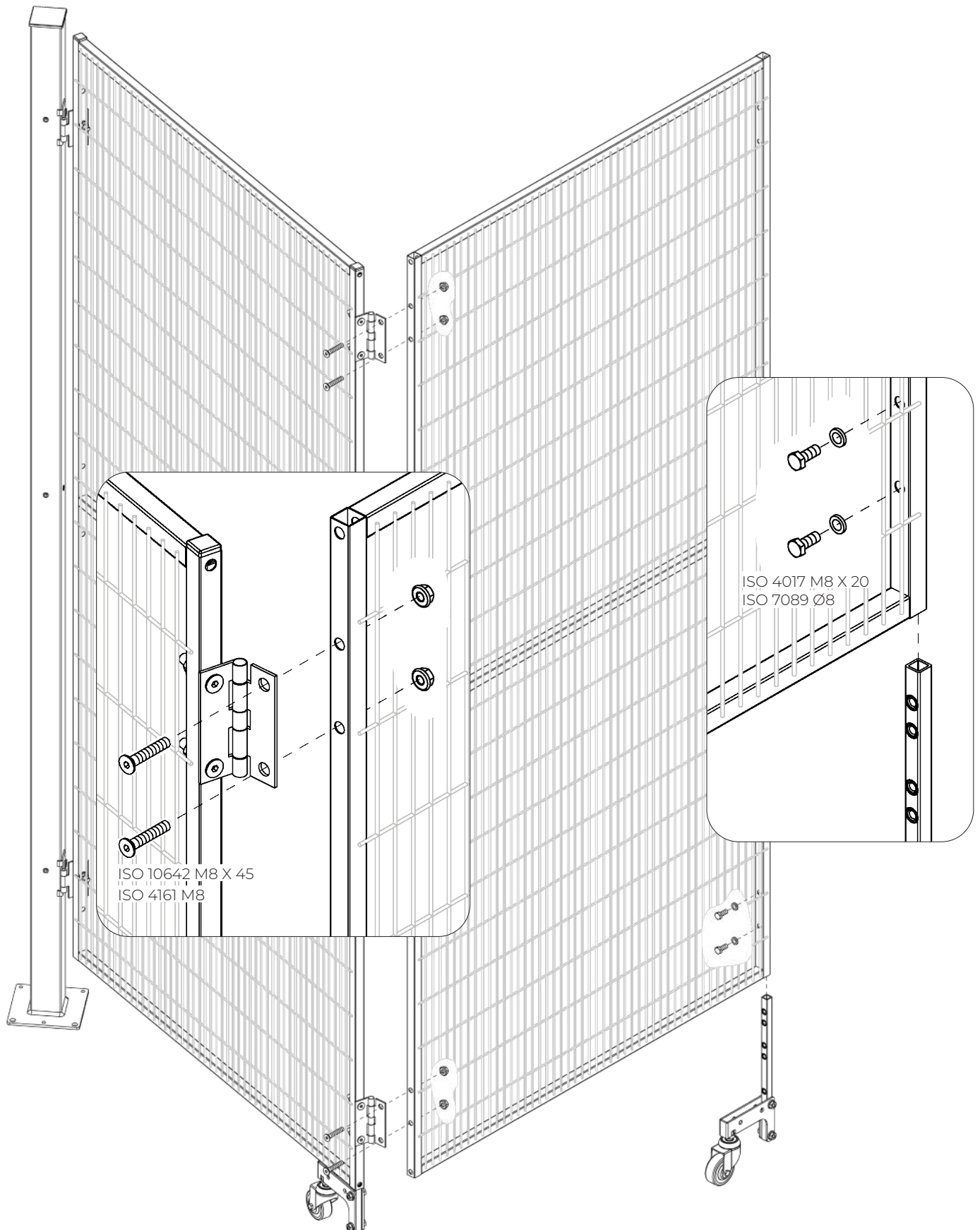
# Single Folding Door

## ASSEMBLY INSTRUCTIONS



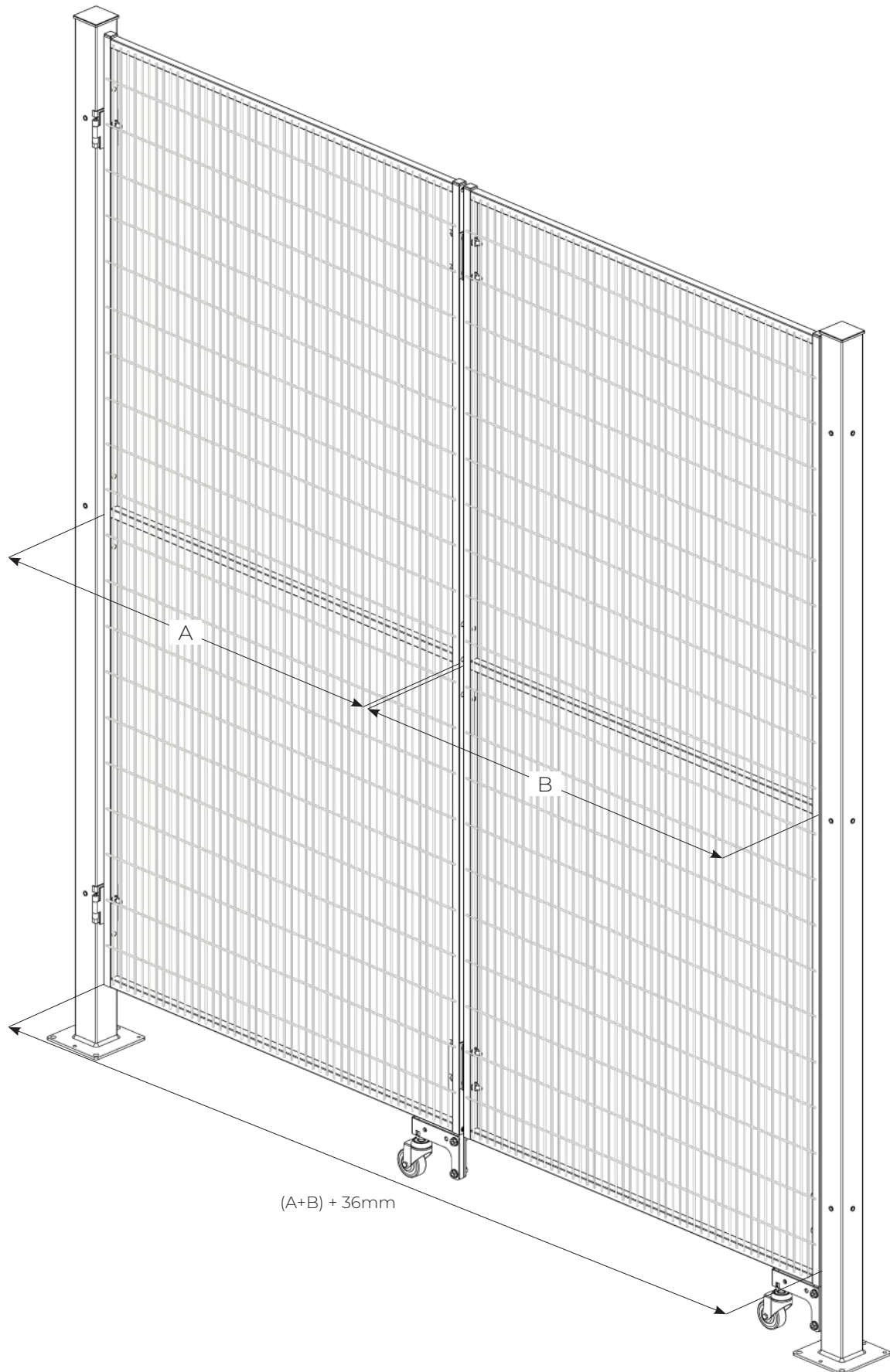
# Single Folding Door

ASSEMBLY INSTRUCTIONS



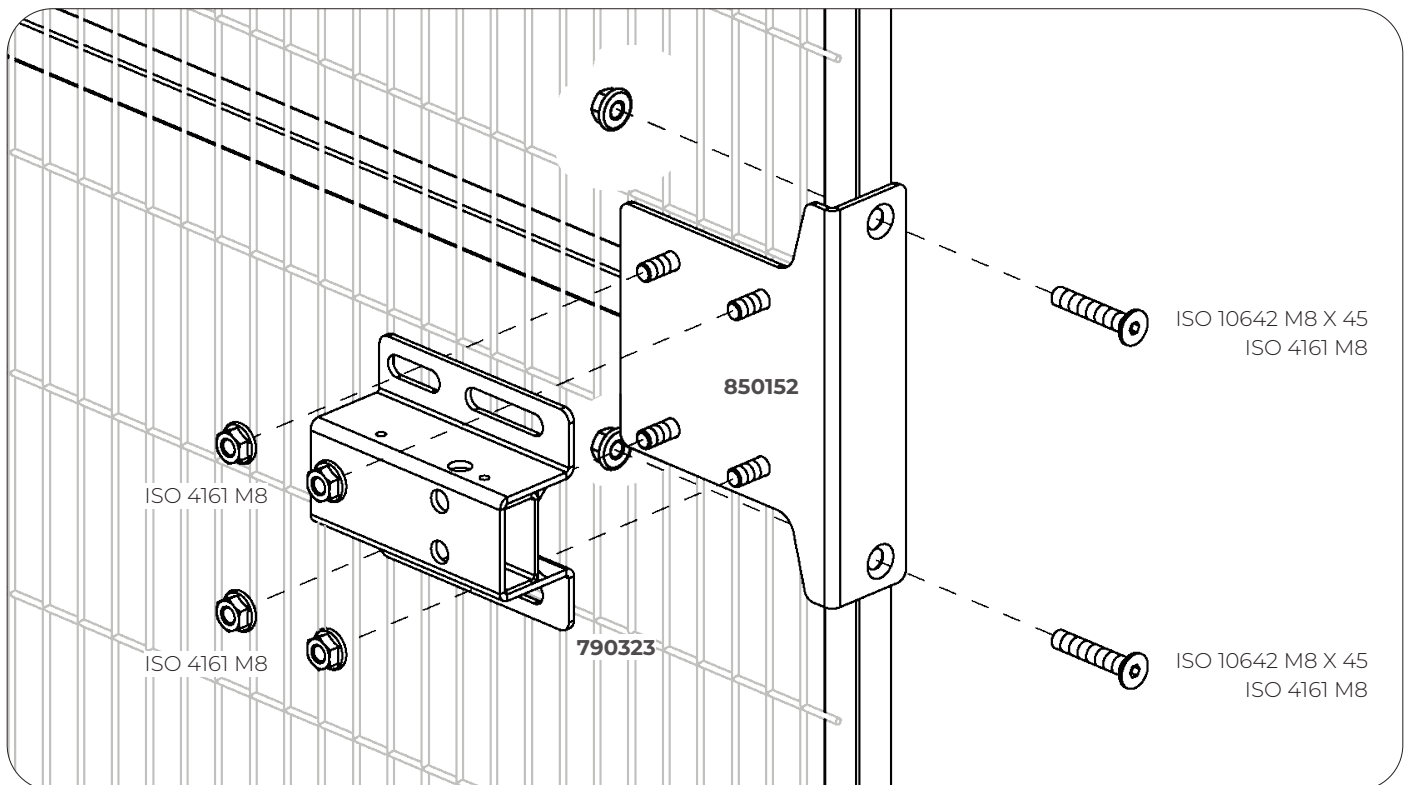
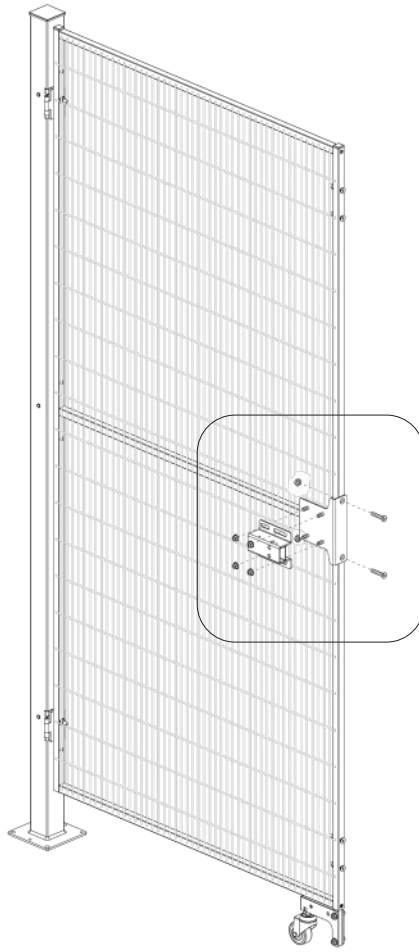
# Single **Folding Door**

ASSEMBLY INSTRUCTIONS



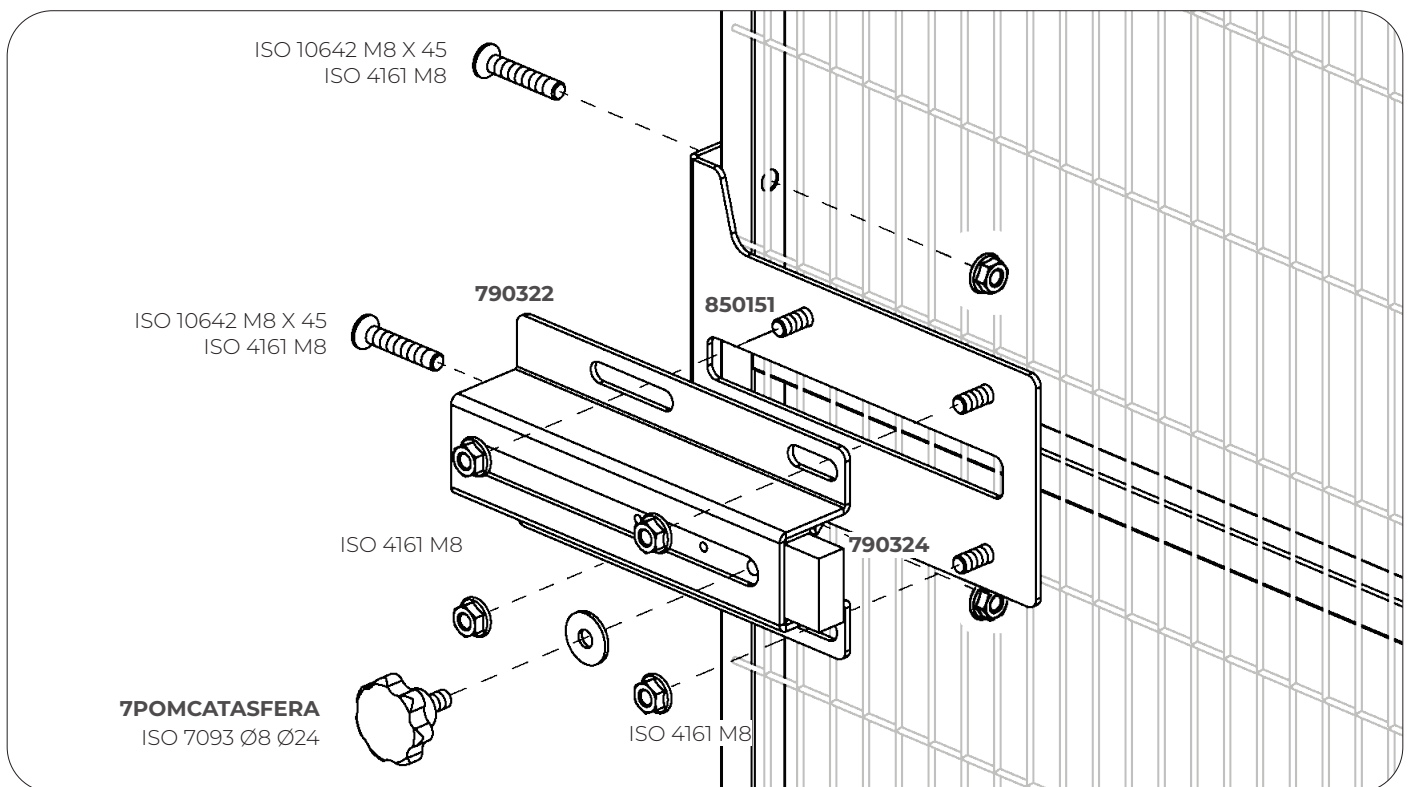
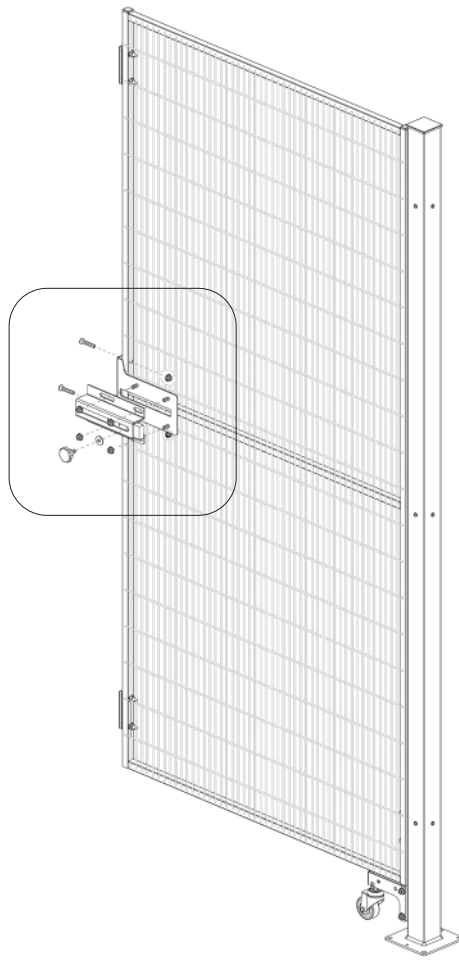
# Single **Folding Door**

ASSEMBLY INSTRUCTIONS



# Single Folding Door

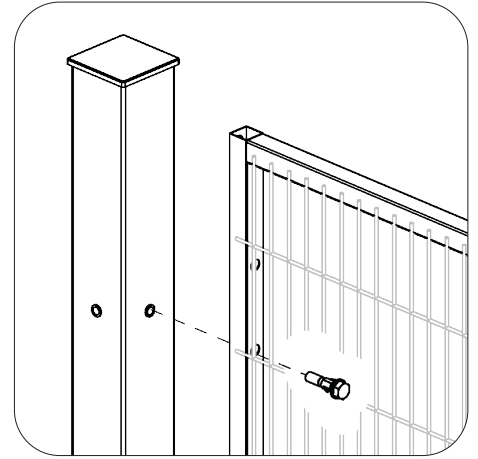
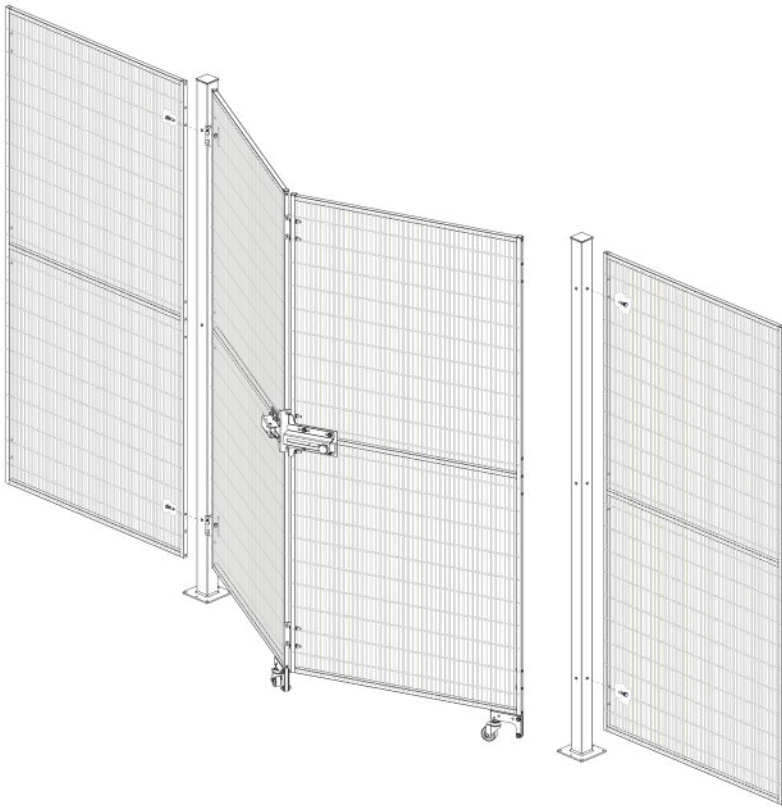
ASSEMBLY INSTRUCTIONS



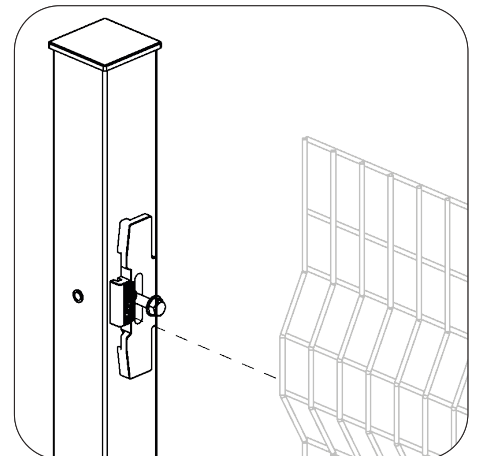
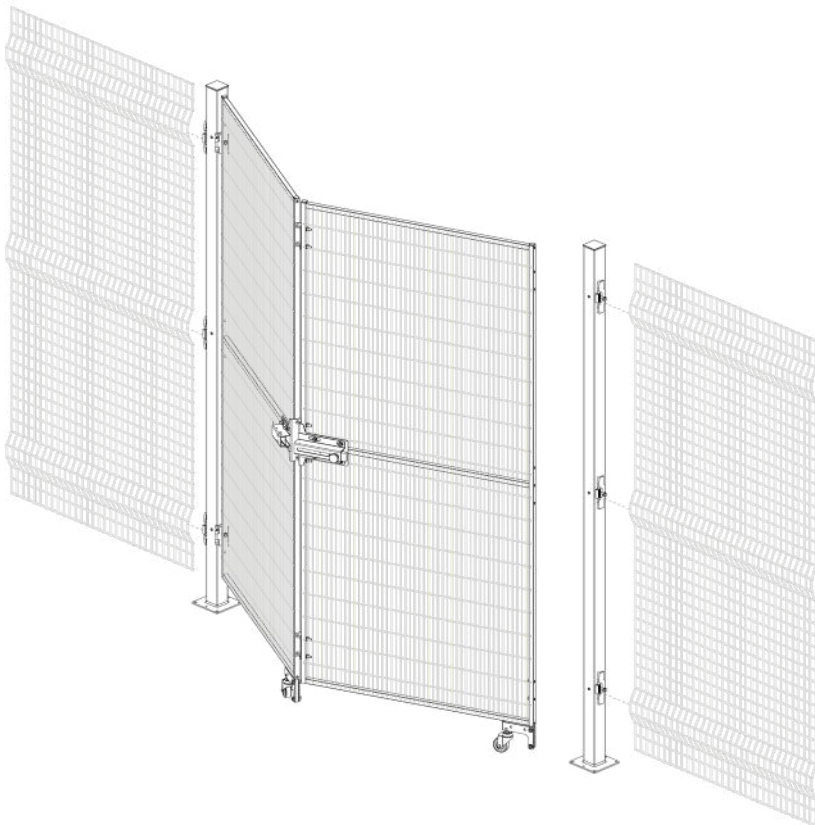
# Single **Folding Door**

ASSEMBLY INSTRUCTIONS - LINEAR

## ImpactGuard



## AdaptaGuard

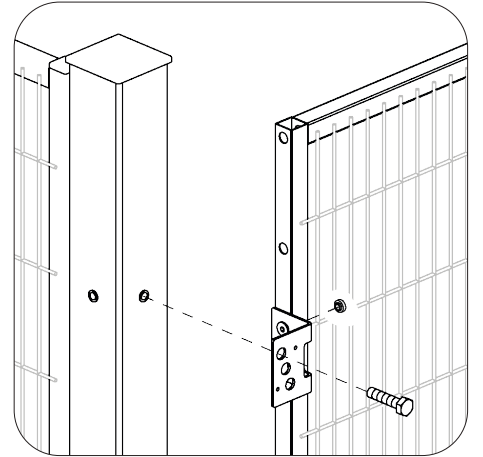
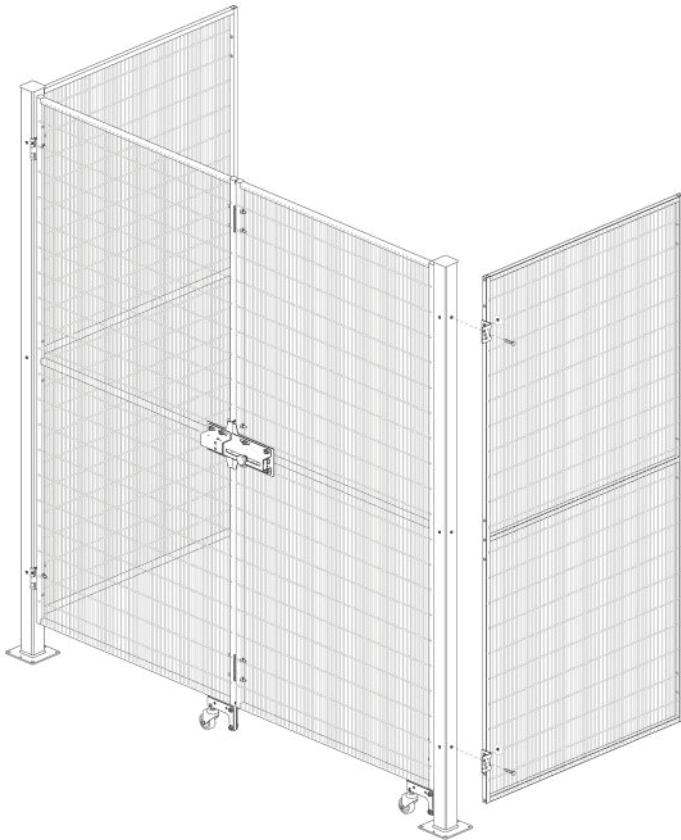




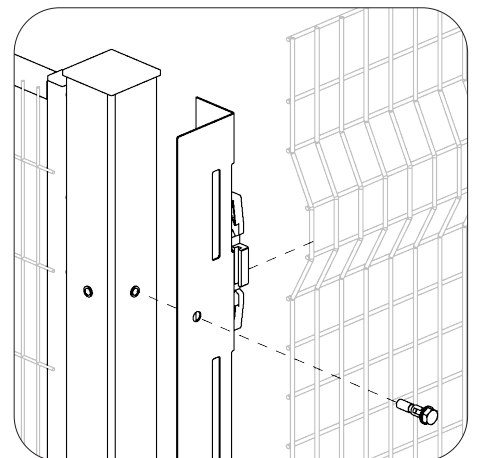
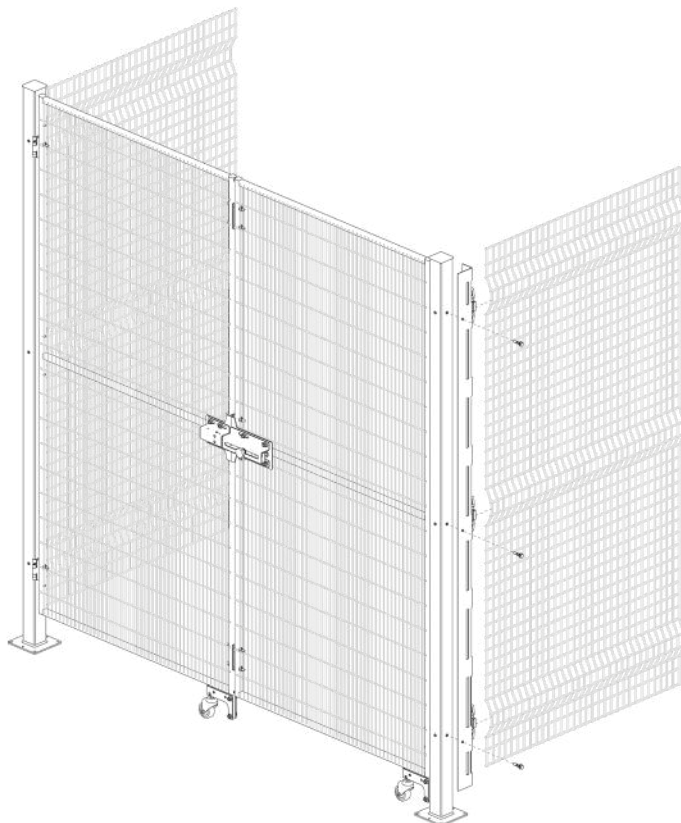
# Single **Folding Door**

ASSEMBLY INSTRUCTIONS - ANGULAR

## ImpactGuard



## AdaptaGuard



# Modular Machine Guards that fit your needs.

Tailor-made solutions for the safety of operators and machinery



Protecting workers and machinery is paramount to create a safe and productive work environment. Satech Modular Machine Guards Systems, Doors and Accessories provide tailor-made solutions for any machinery layout need. **3 framed Systems, 2 frameless Systems and more than 150 Locks/Interlocks** ensure the maximum level of protection (PL) when accessing hazard areas for inspection or machinery maintenance.

## Perimeter Protection Machine Safety Guards compliant with European and International Standards

Satech Machine Guards are manufactured in compliance with the **EN ISO 14120** standard, "General requirements for the design and construction of fixed and movable guards". They can be installed at a minimum distance of **120 mm from hazard** (as for EN ISO 13857), saving you plenty of layout space.

All Satech products are manufactured with **quality materials** and are highly durable. Mesh panels and other panel solutions can be easily and rapidly connected to posts (with captive retained fastenings, as for 2006/42/CE - Machinery Directive), which allows you to greatly **reduce assembly time**.

Founded in 2000, Satech was the first Italian Perimeter Guards Manufacturer. A **modern international company** today, in our 20+ years of work we have taken care of the safety of thousands of automated machinery systems and of millions of people worldwide. A **Safe Factory** is a **Productive One**.



## Need help with this manual?

If you need additional specs, tips or manuals, please call our **Customer Service** at

**+39 031 86230 85**

**SATECH**  
Modular Machine Guards

Satech Safety Technology SpA

Via Conte Taverna, 1  
I-23892 Bulciago (LC)  
Phone +39 031 86230 11



**CERTIFIED**  
**ISO 9001**  
**ISO 14001**  
**ISO 45001**

