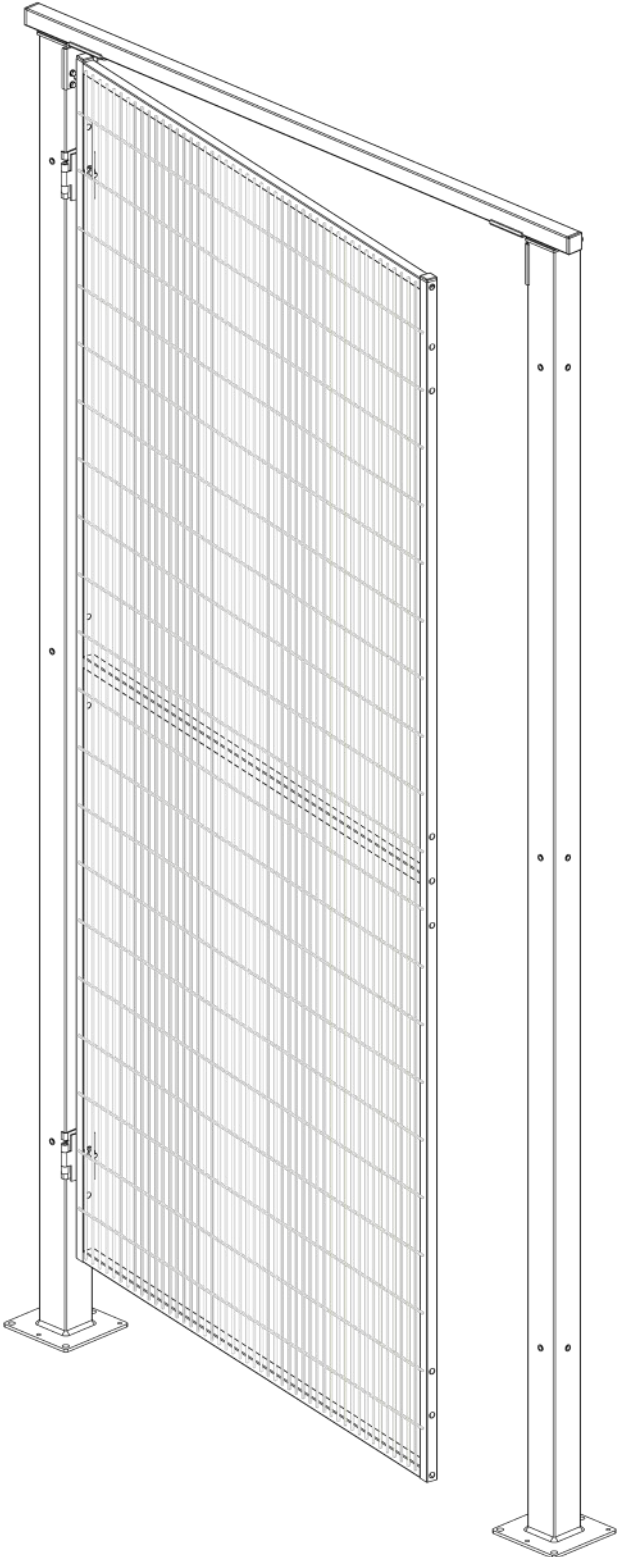
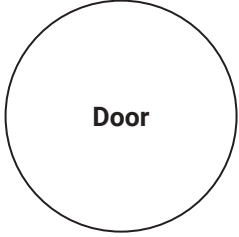


SINGLE LEAF

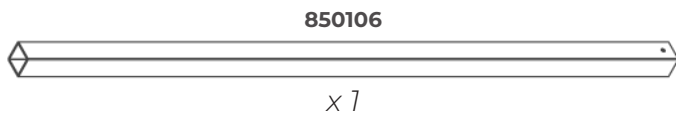
Hinged Door

ASSEMBLY INSTRUCTIONS



Single Leaf Hinged Door

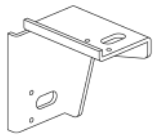
ASSEMBLY INSTRUCTIONS



4030000000000001

4011000000000002

220057A



x 2

903030



x 2

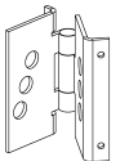
ISO 15480 Ø 4.8 x 16



x 8

4011000000000001

220050_F05



x 2

220050_F04



x 2

4001000000000001

ISO 10642 M8 X 45



x 2

ISO 10642 M8 X 16



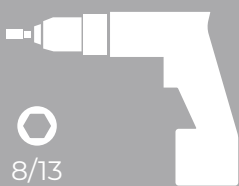
x 2

ISO 4161 M8



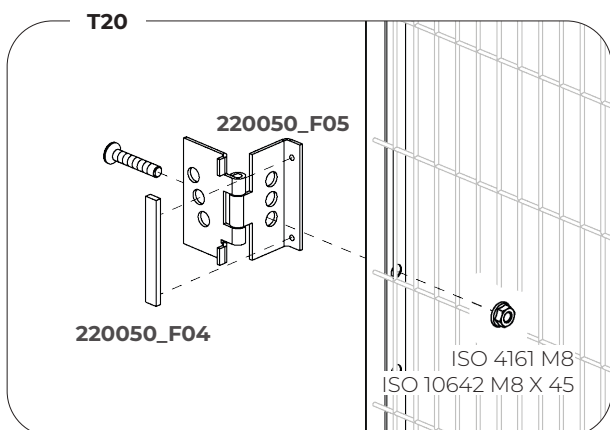
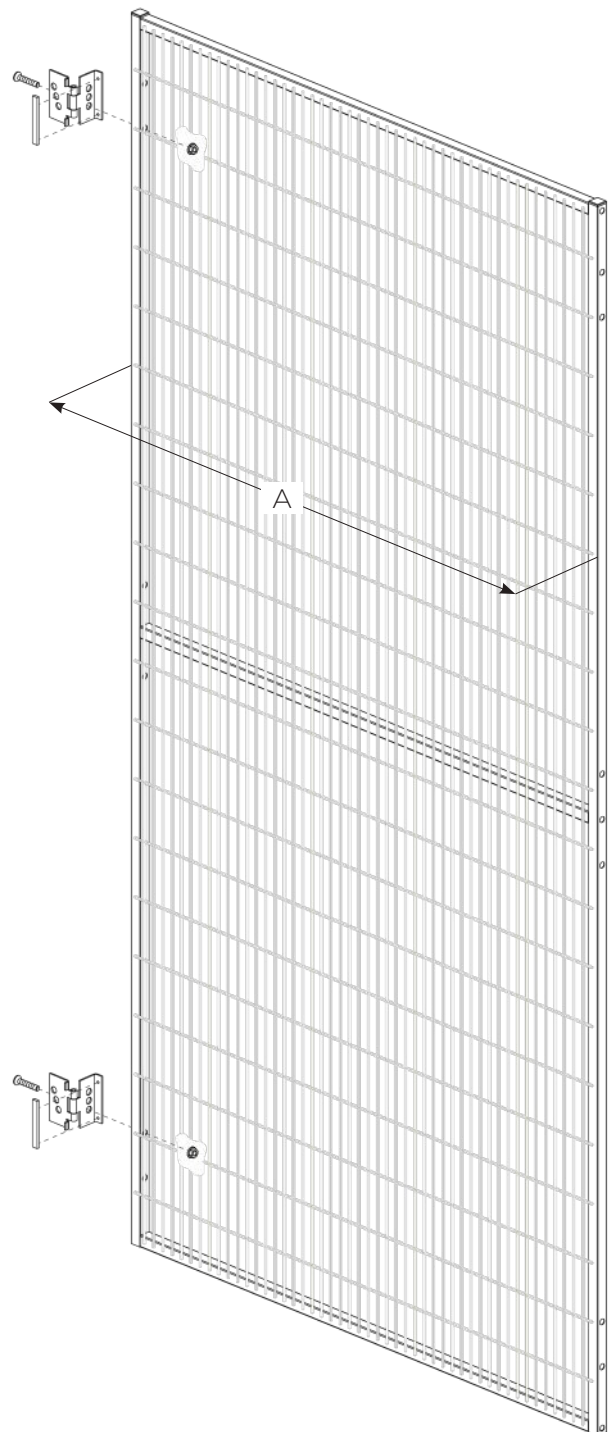
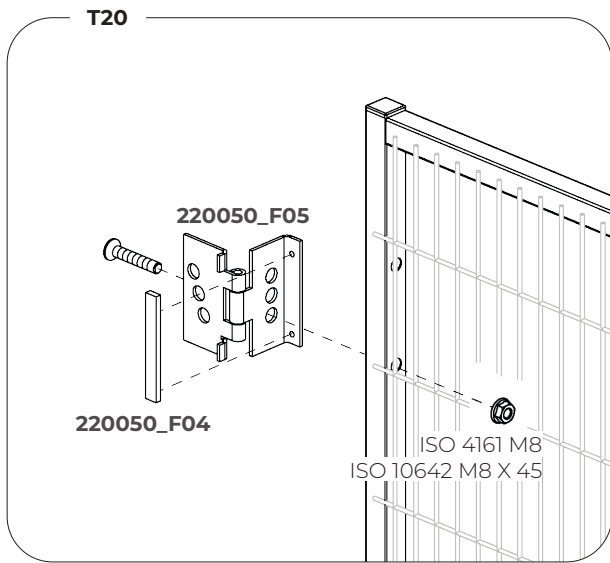
x 2

Tools



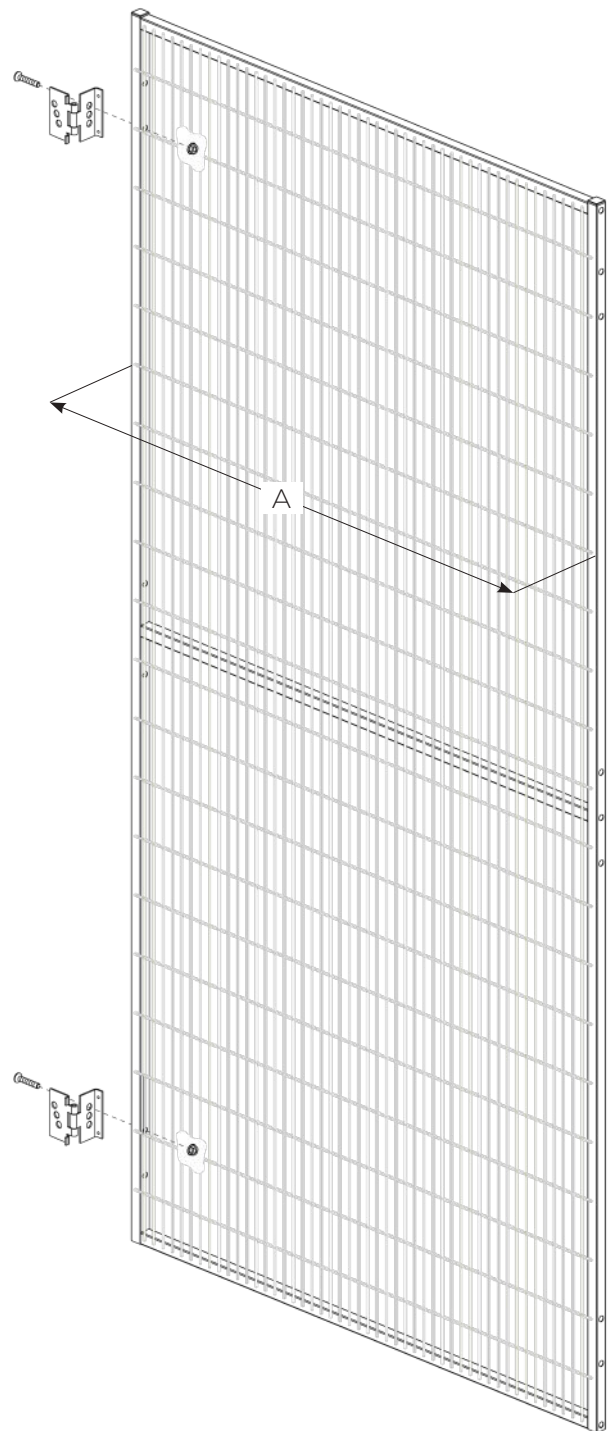
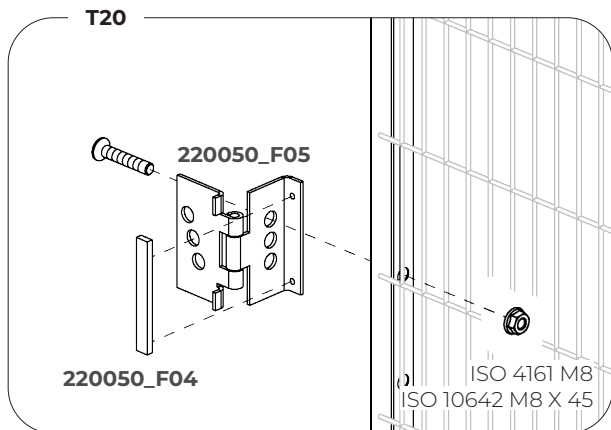
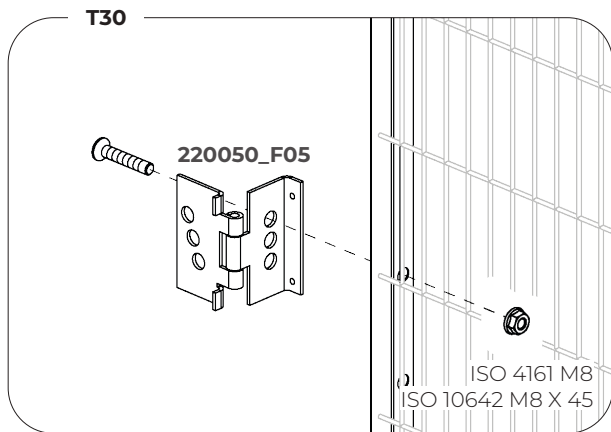
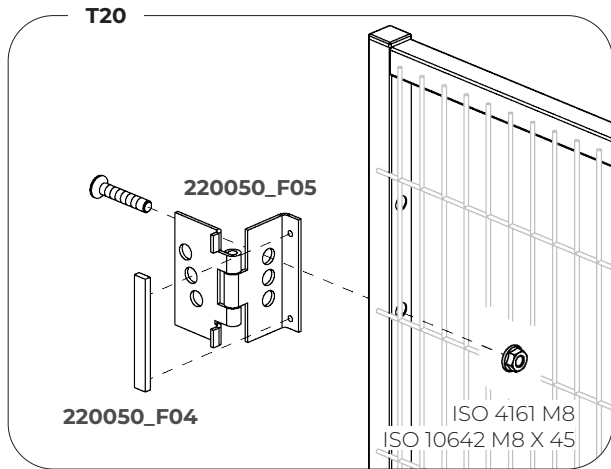
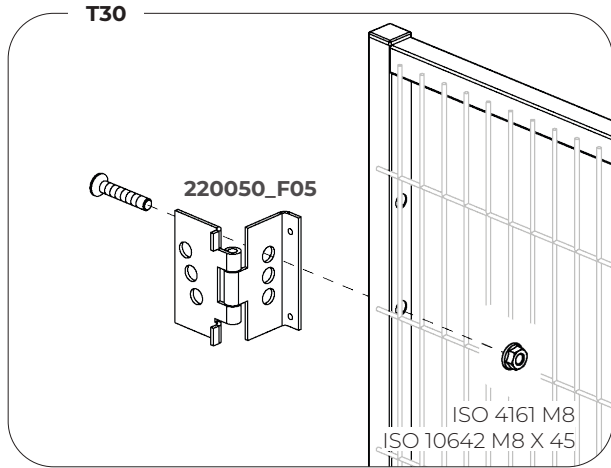
Single Leaf Hinged Door

ASSEMBLY INSTRUCTIONS - 40 mm POST



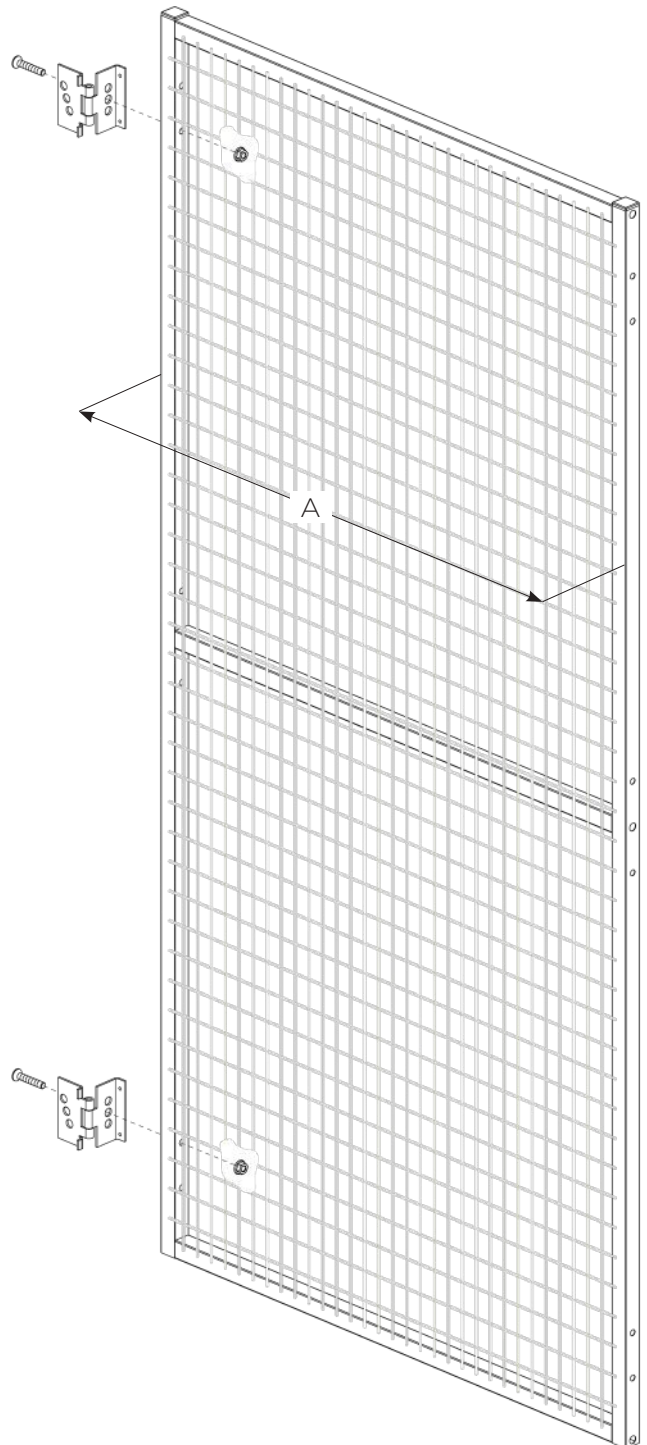
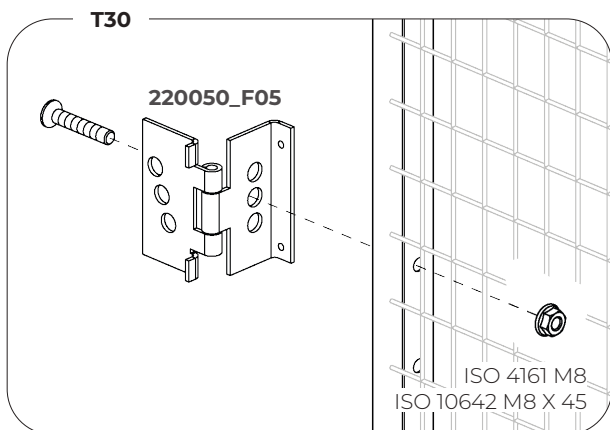
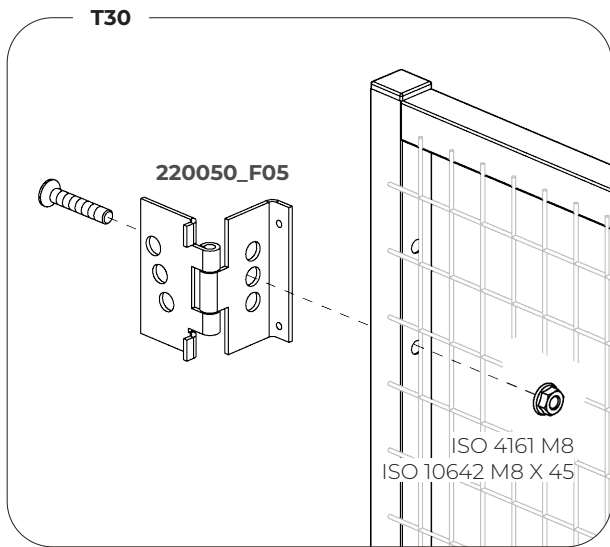
Single Leaf Hinged Door

ASSEMBLY INSTRUCTIONS - 60 mm POST



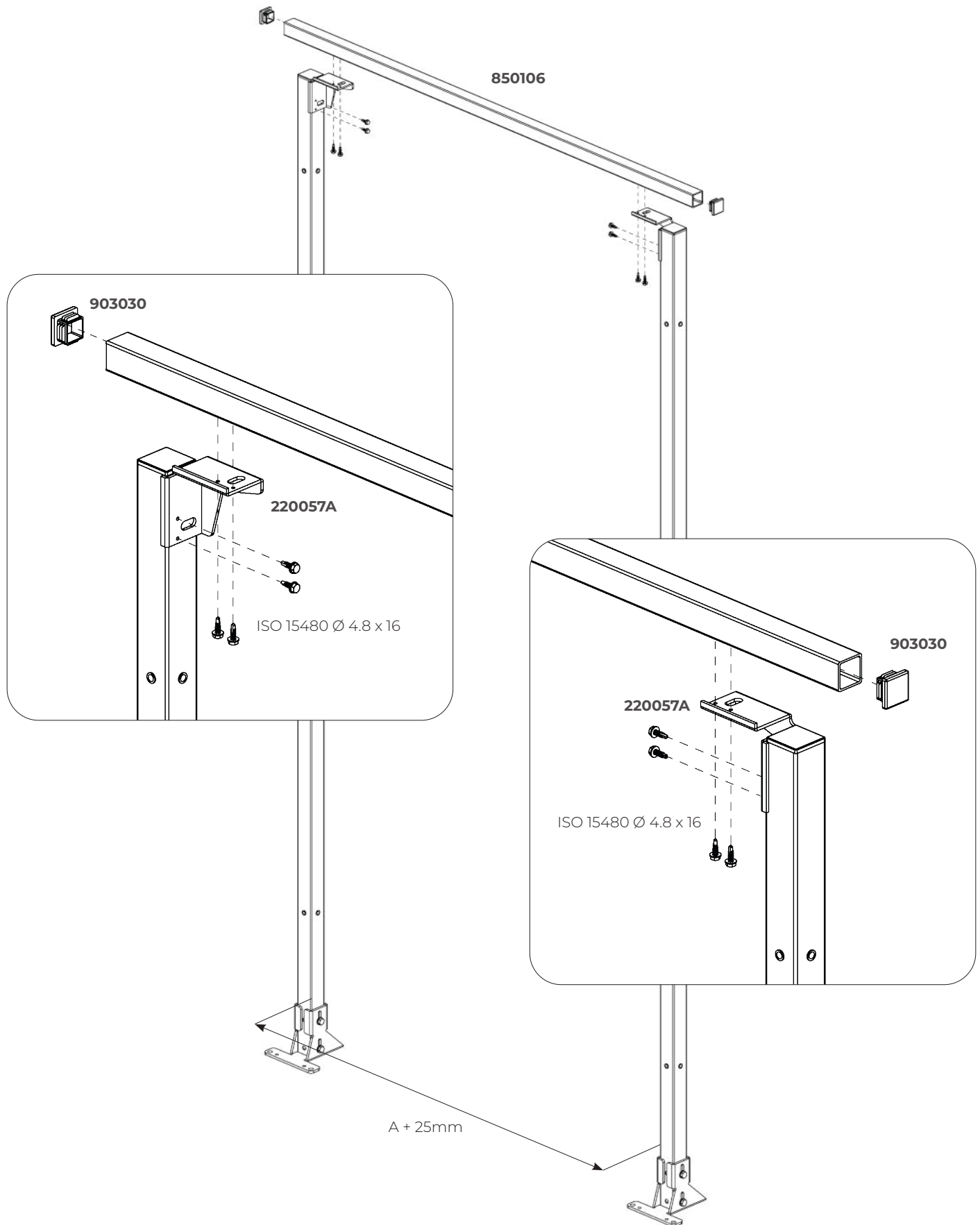
Single Leaf Hinged Door

ASSEMBLY INSTRUCTIONS - 50 mm POST



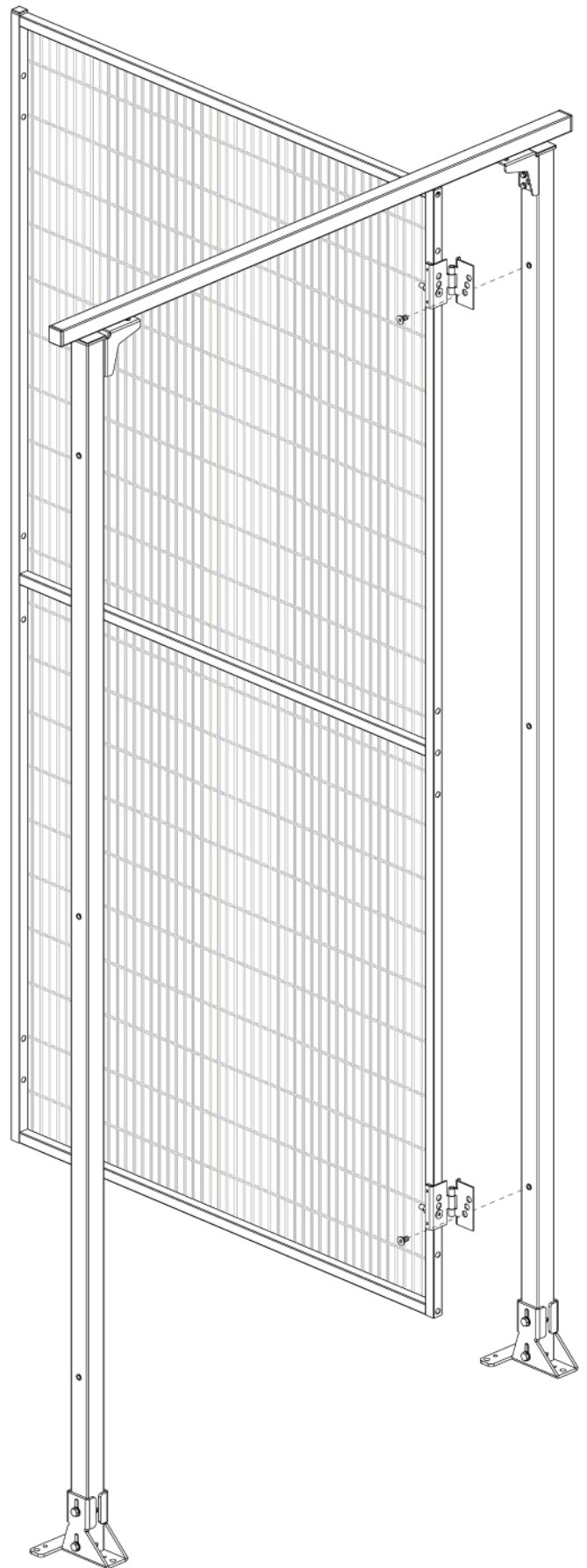
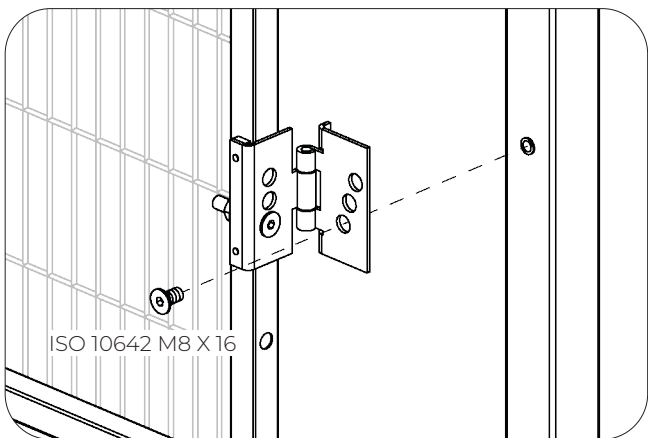
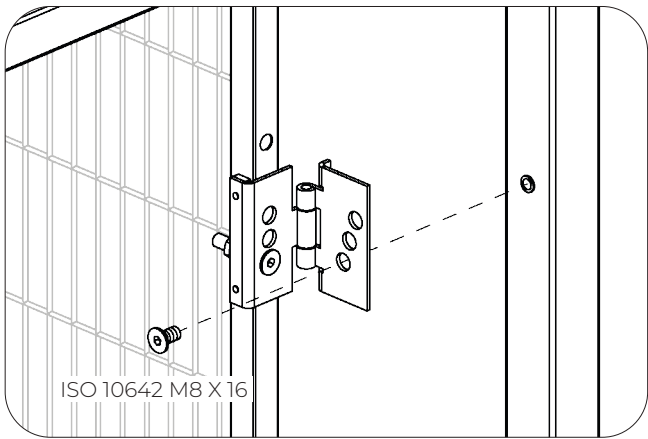
Single Leaf Hinged Door

ASSEMBLY INSTRUCTIONS



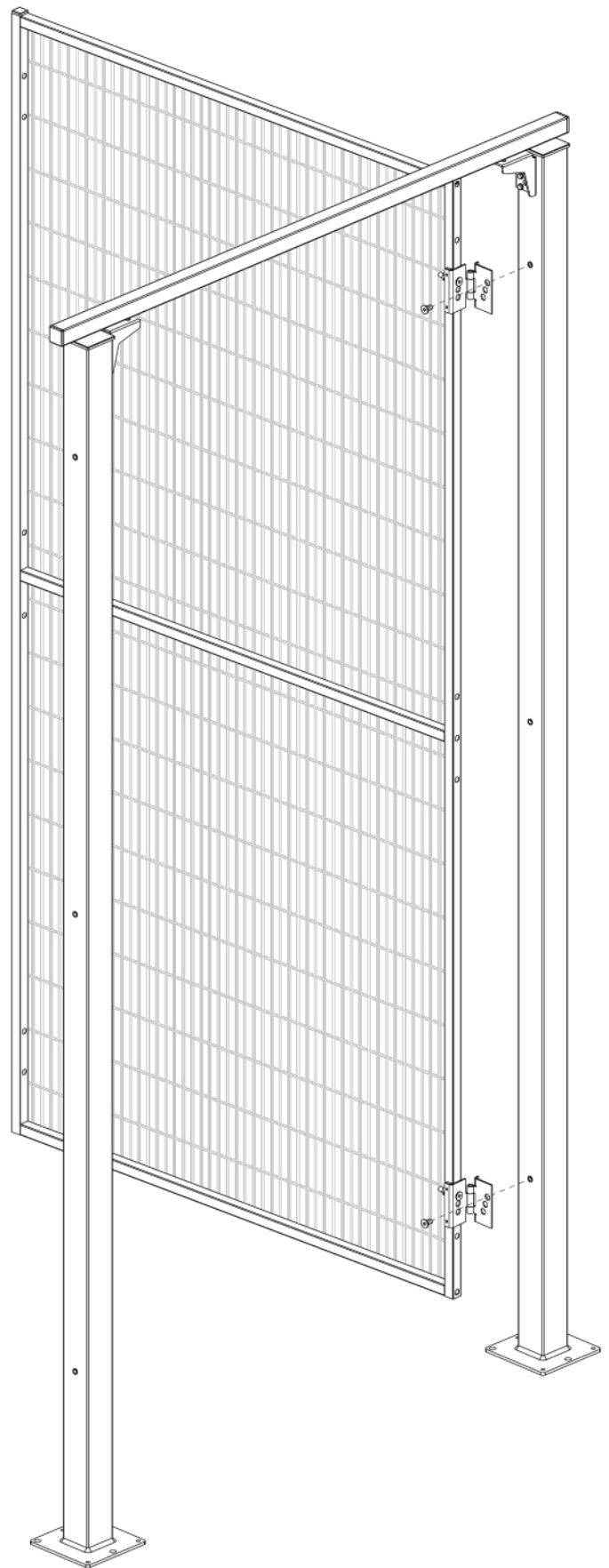
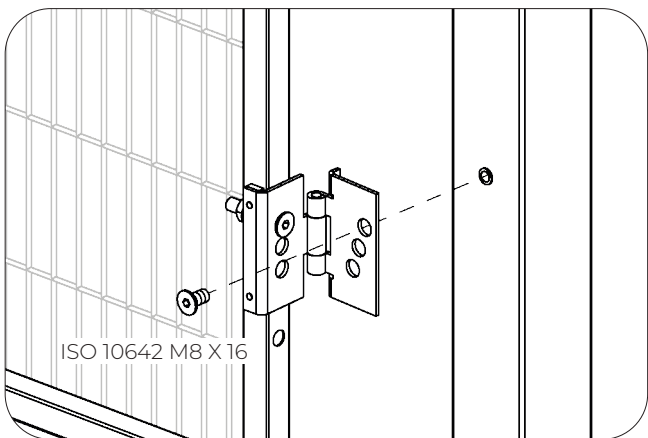
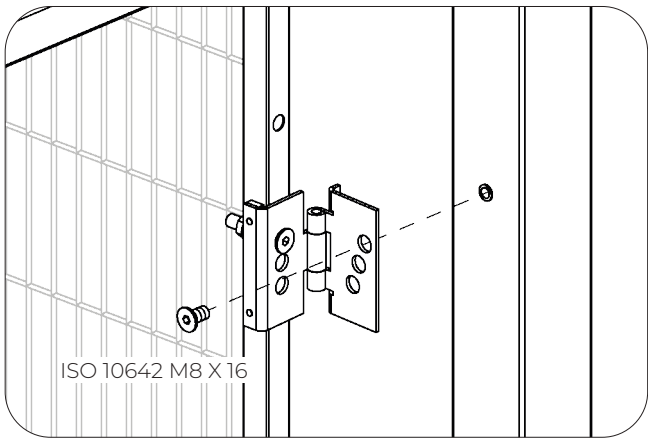
Single Leaf Hinged Door

ASSEMBLY INSTRUCTIONS - 40 mm POST



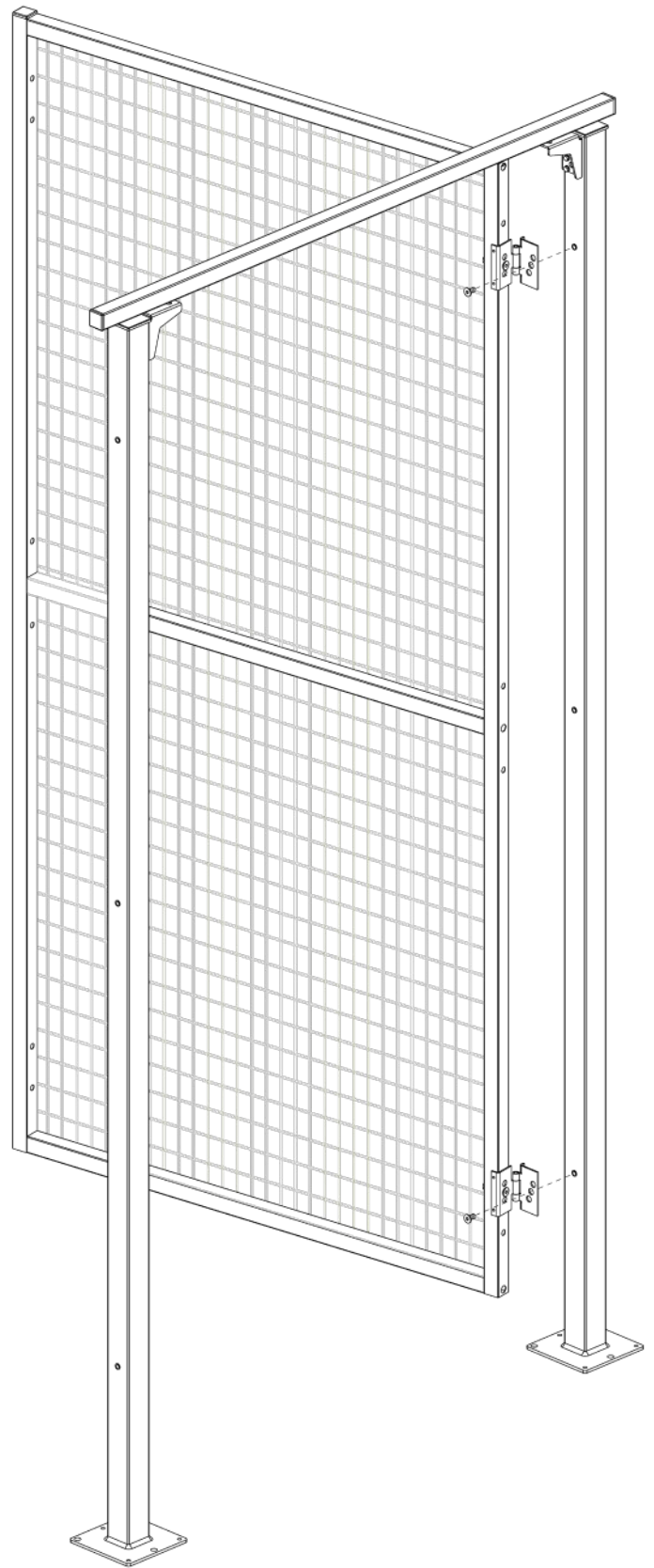
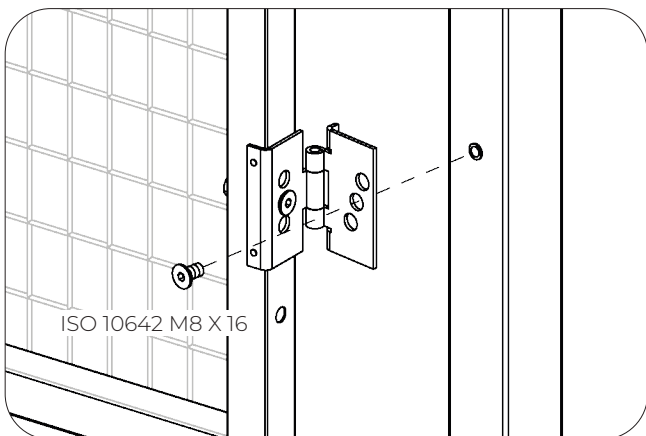
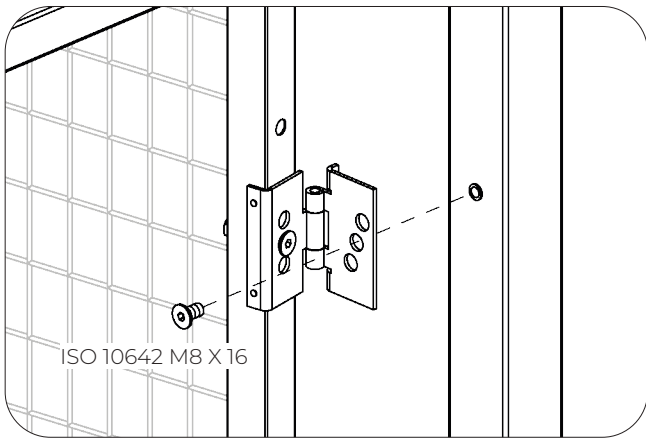
Single Leaf Hinged Door

ASSEMBLY INSTRUCTIONS - 60 mm POST



Single Leaf Hinged Door

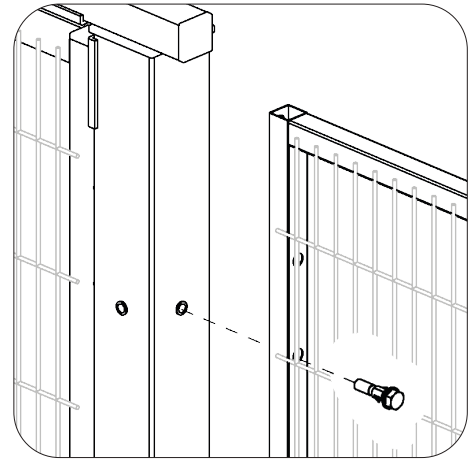
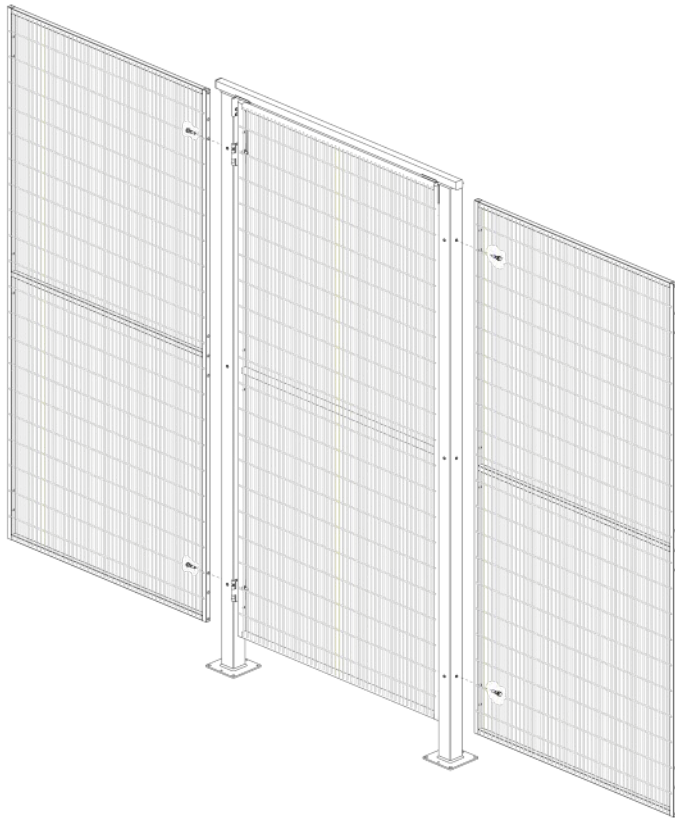
ASSEMBLY INSTRUCTIONS - 50 mm POST



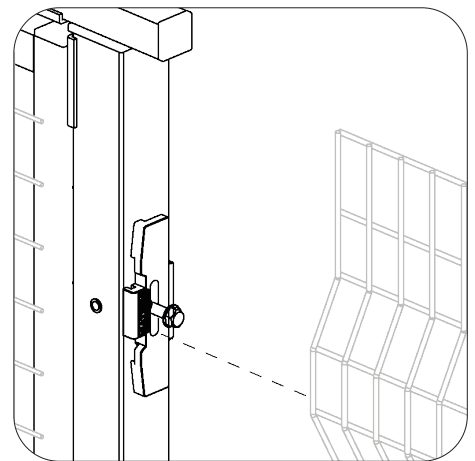
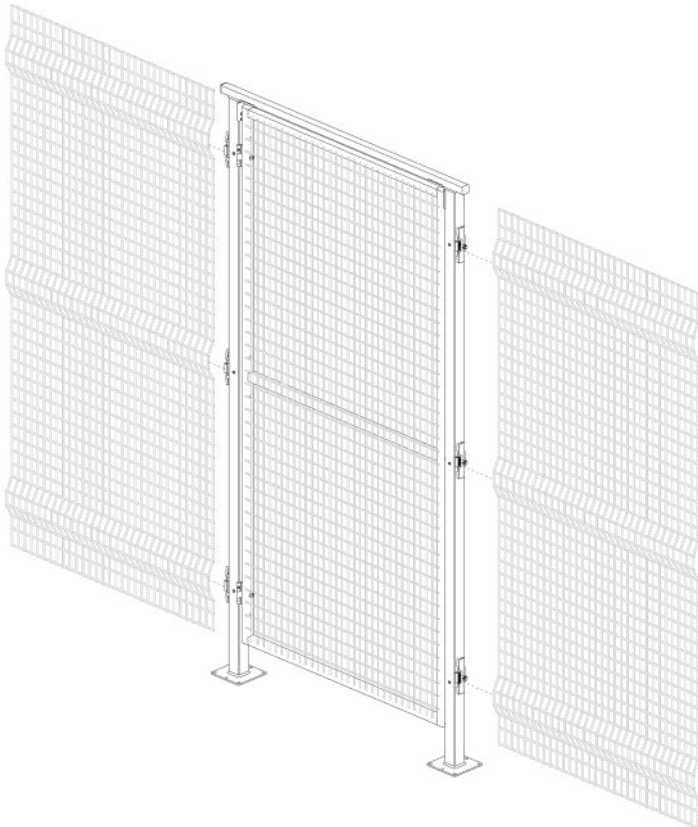
Single Leaf Hinged Door

ASSEMBLY INSTRUCTIONS - LINEAR

ImpactGuard



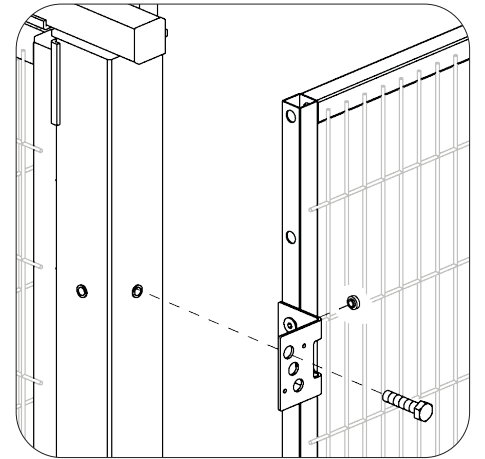
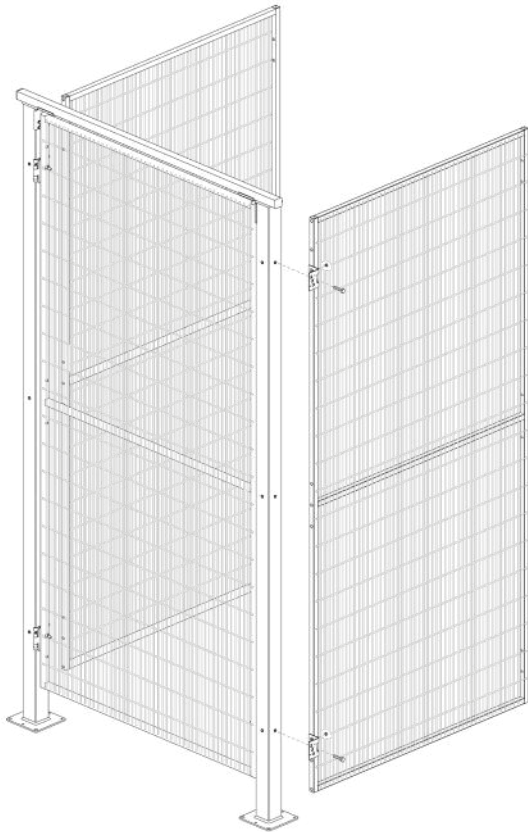
AdaptaGuard



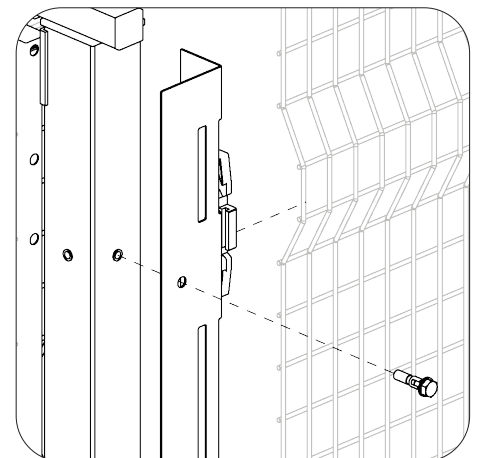
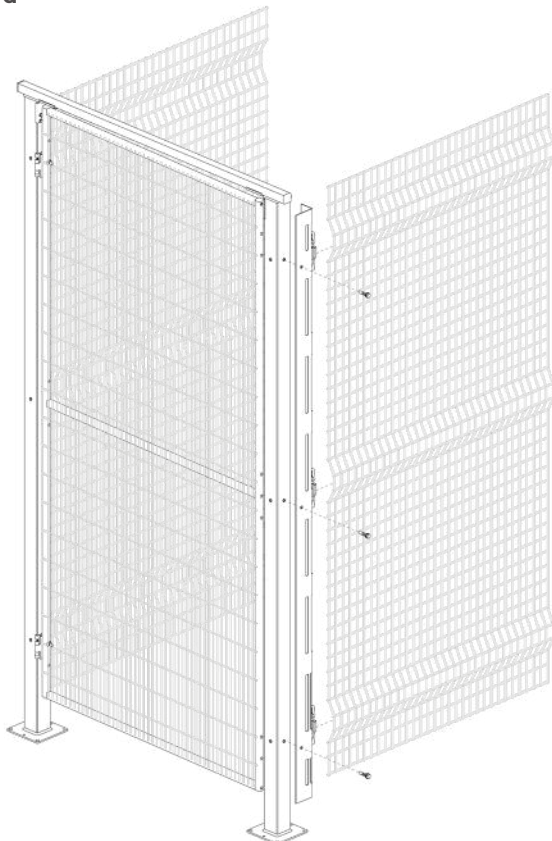
Single Leaf Hinged Door

ASSEMBLY INSTRUCTIONS - ANGULAR

ImpactGuard



AdaptaGuard



Modular Machine Guards that fit your needs.

Tailor-made solutions for the safety of operators and machinery



Protecting workers and machinery is paramount to create a safe and productive work environment. Satech Modular Machine Guards Systems, Doors and Accessories provide tailor-made solutions for any machinery layout need.

3 framed Systems, 2 frameless Systems and more than 150 Locks/Interlocks ensure the maximum level of protection (PL) when accessing hazard areas for inspection or machinery maintenance.

Perimeter Protection Machine Safety Guards compliant with European and International Standards

Satech Machine Guards are manufactured in compliance with the **EN ISO 14120** standard, "General requirements for the design and construction of fixed and movable guards". They can be installed at a minimum distance of **120 mm from hazard** (as for EN ISO 13857), saving you plenty of layout space.

All Satech products are manufactured with **quality materials** and are highly durable. Mesh panels and other panel solutions can be easily and rapidly connected to posts (with captive retained fastenings, as for 2006/42/CE - Machinery Directive), which allows you to greatly **reduce assembly time**.

Founded in 2000, Satech was the first Italian Perimeter Guards Manufacturer. A **modern international company** today, in our 20+ years of work we have taken care of the safety of thousands of automated machinery systems and of millions of people worldwide. A **Safe Factory** is a **Productive One**.

Our products may be subject to changes or improvements. The images shown here are for illustrative purposes only.



Need help with this manual?

If you need additional specs, tips or manuals, please call our **Customer Service** at

+39 031 86230 85

SATECH
Modular Machine Guards

Satech Safety Technology SpA

Via Conte Taverna, 1
I-23892 Bulciago (LC)
Phone +39 031 86230 11



CERTIFIED
ISO 9001
ISO 14001
ISO 45001

