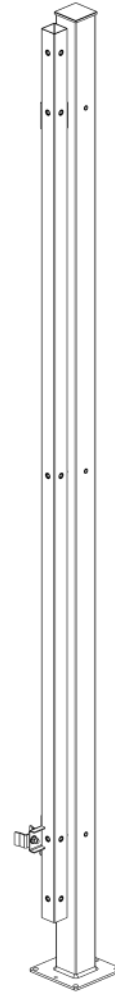
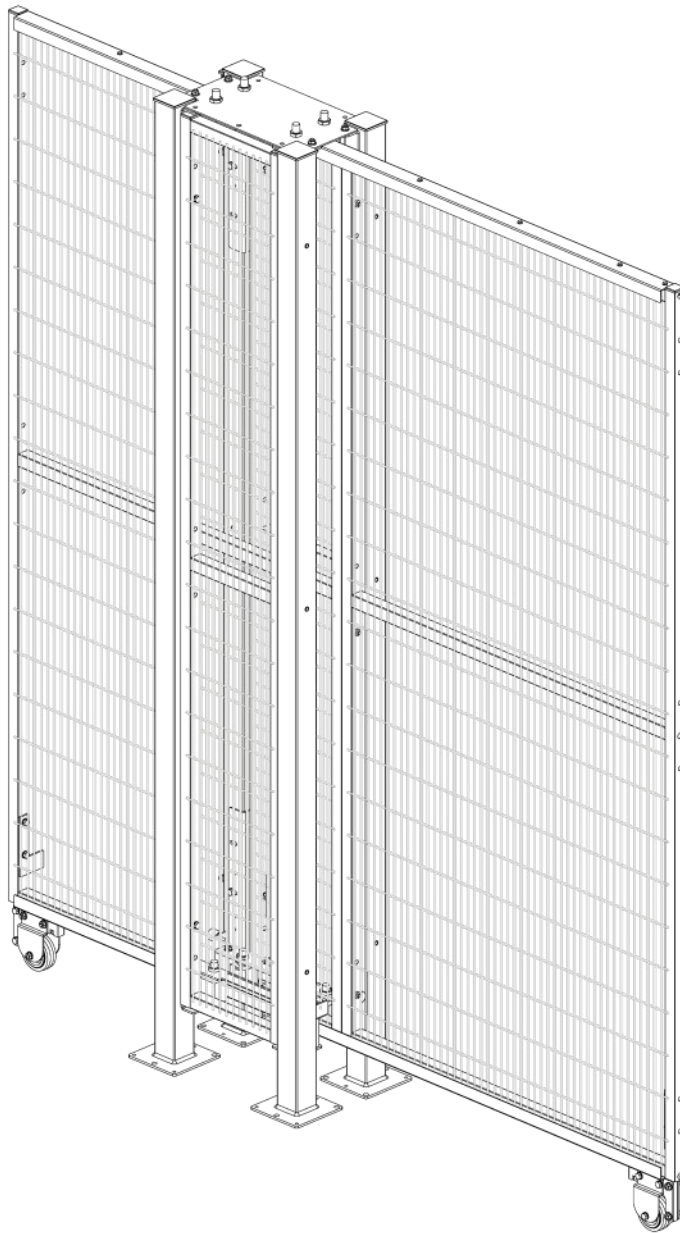
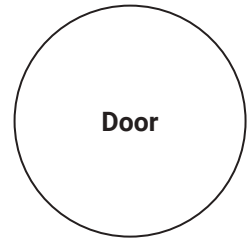


SINGLE

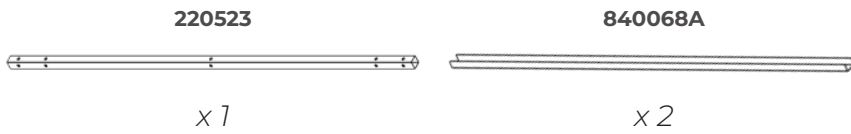
Open Passage Sliding Door

ASSEMBLY INSTRUCTIONS

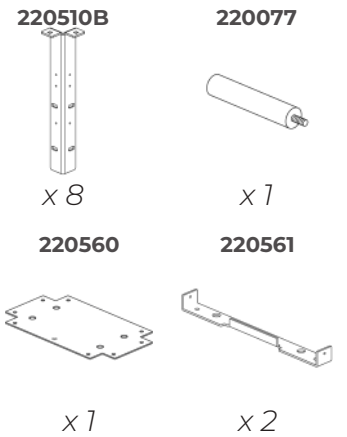


Single Open Passage Sliding Door

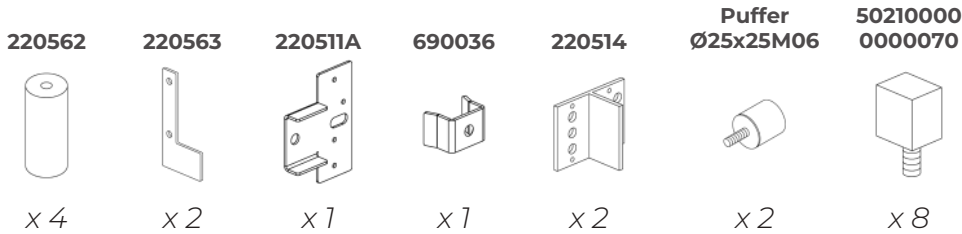
ASSEMBLY INSTRUCTIONS



403000000000016



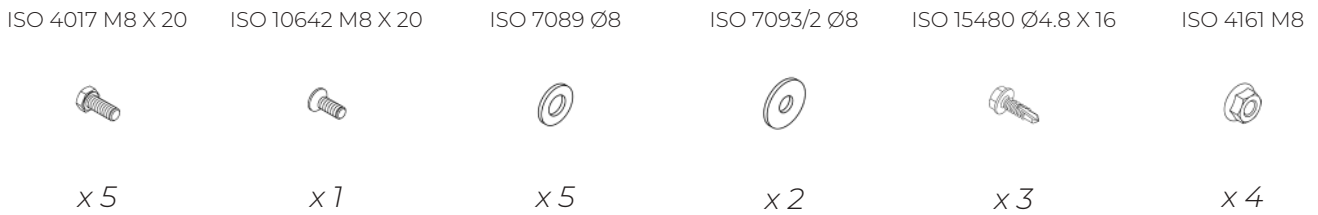
403000000000021



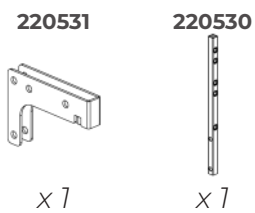
400100000000007



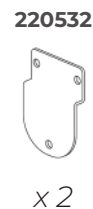
400100000000006



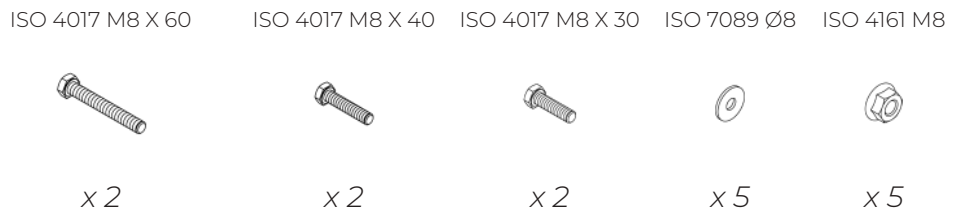
401100000000006 X2



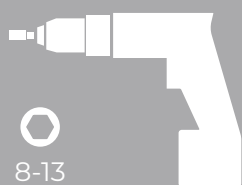
7RTGOMMA



400100000000002

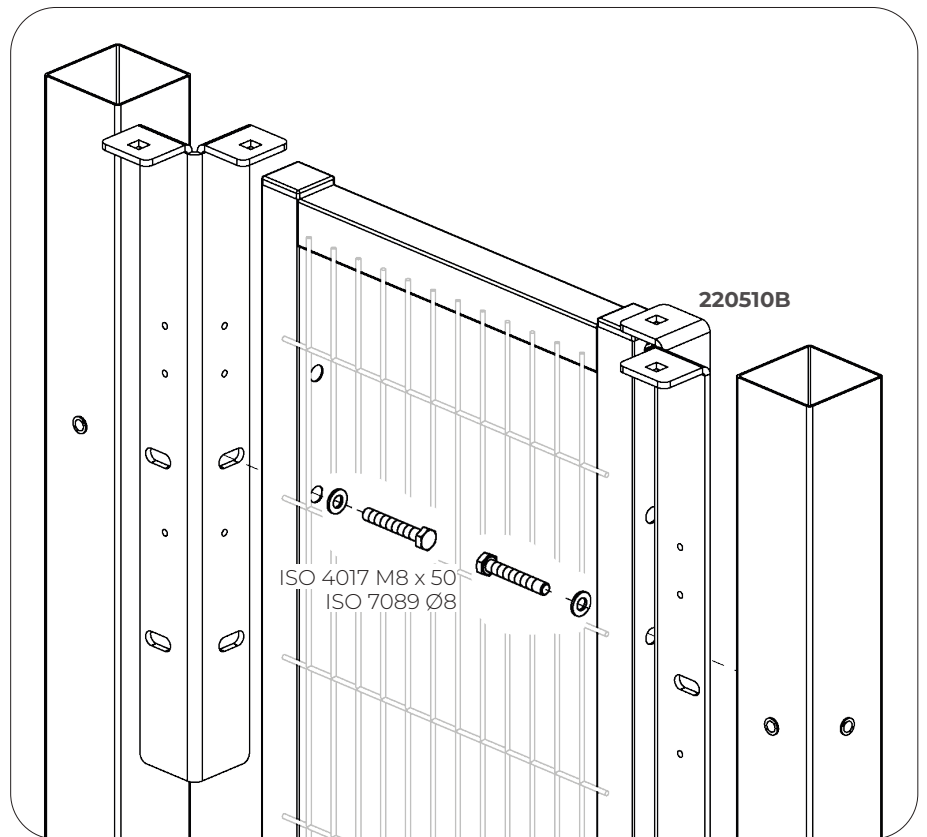
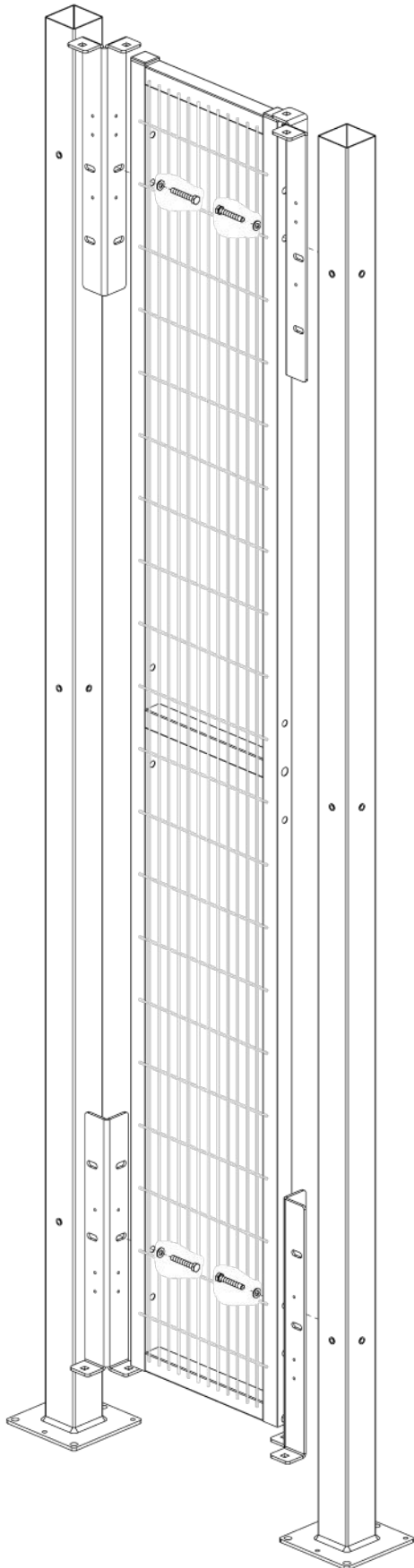


Tools



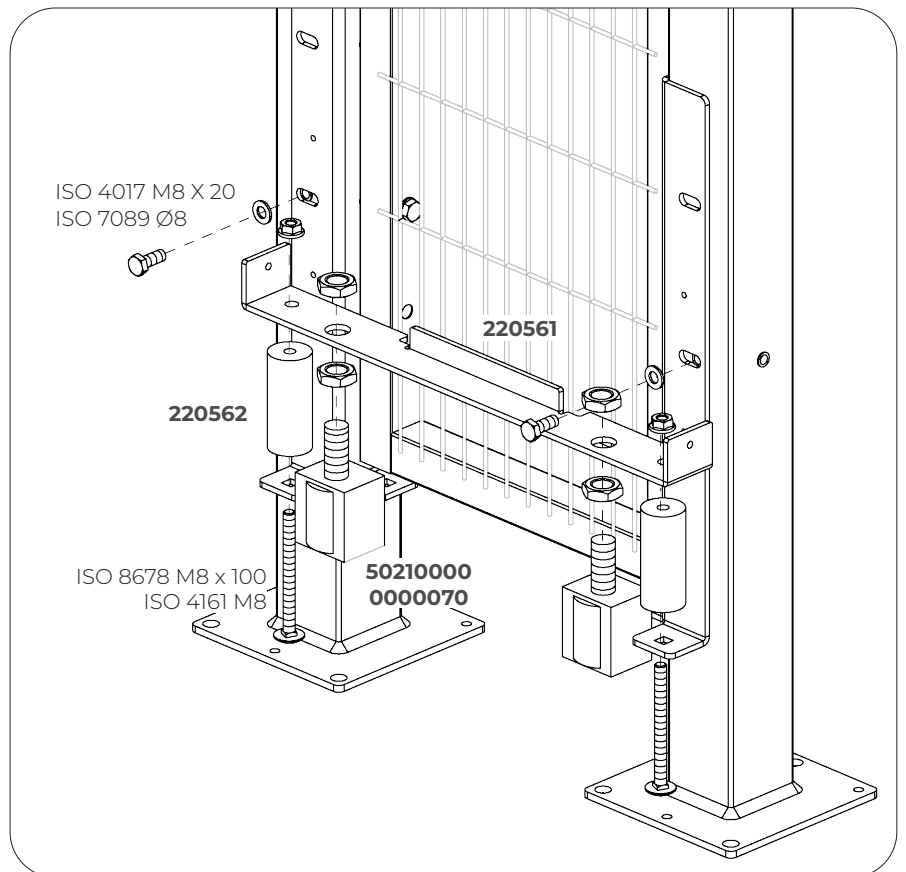
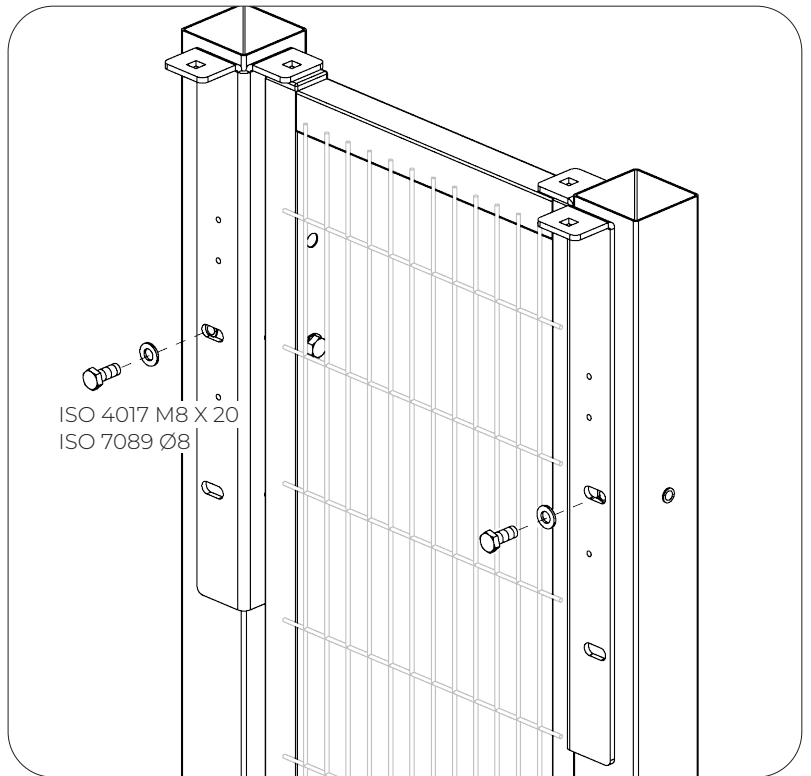
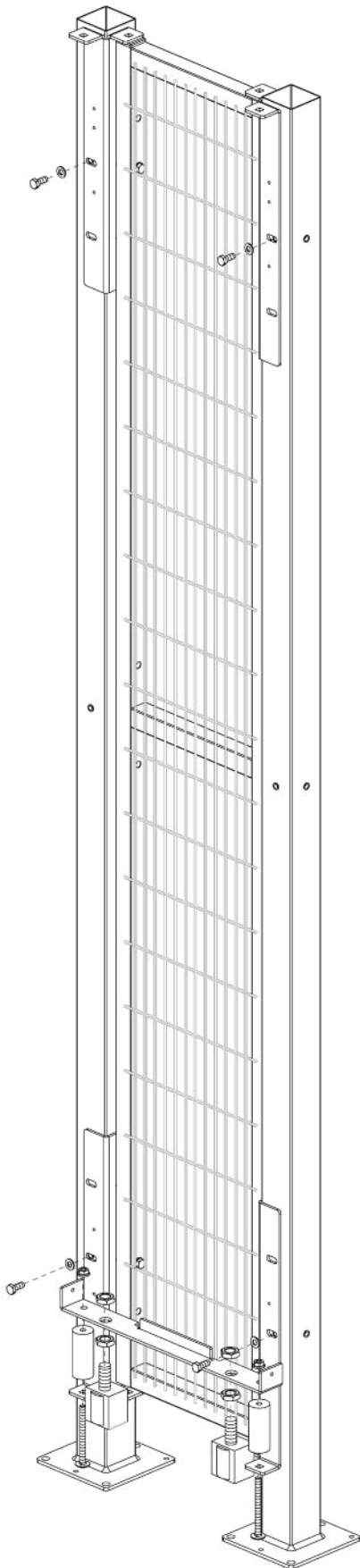
Single Open Passage Sliding Door

ASSEMBLY INSTRUCTIONS



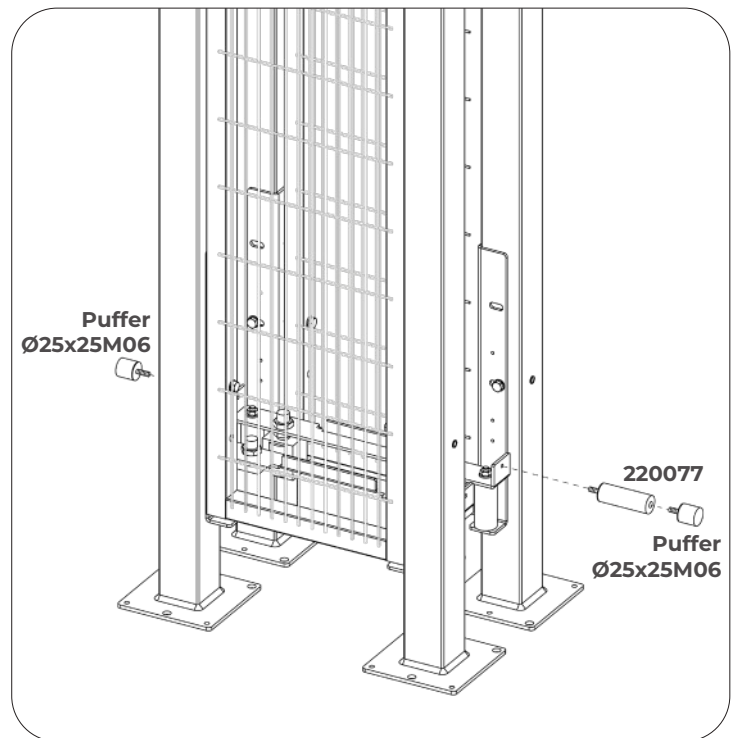
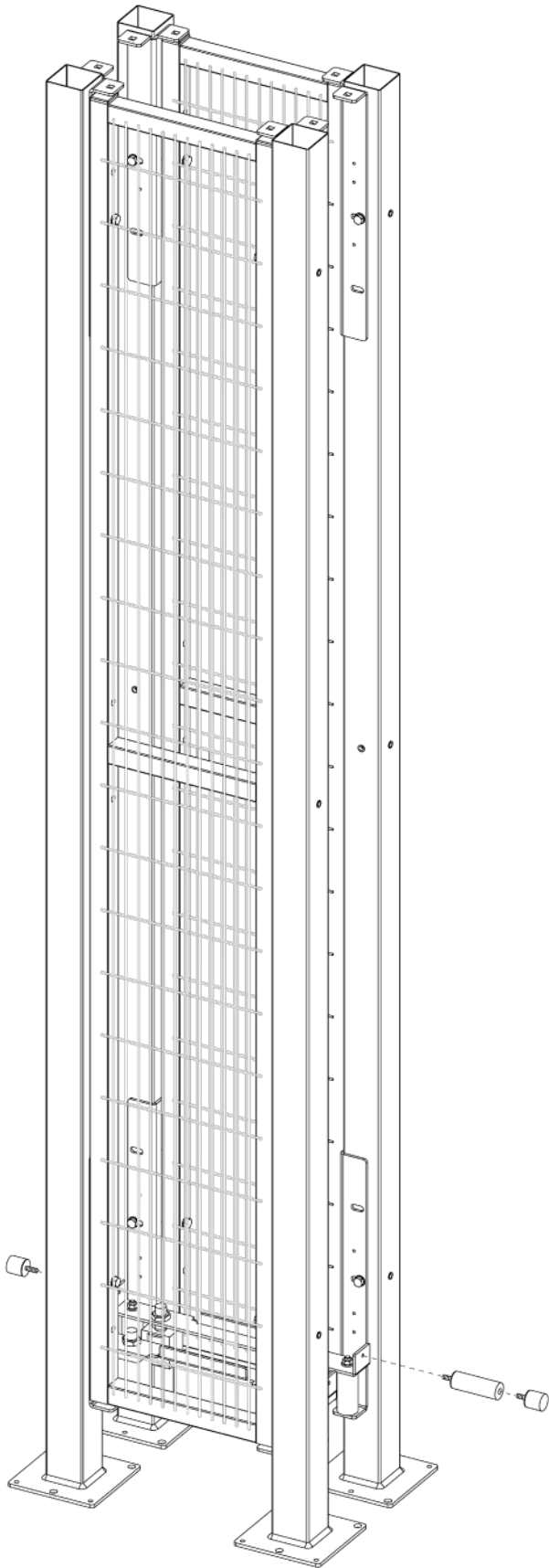
Single Open Passage Sliding Door

ASSEMBLY INSTRUCTIONS



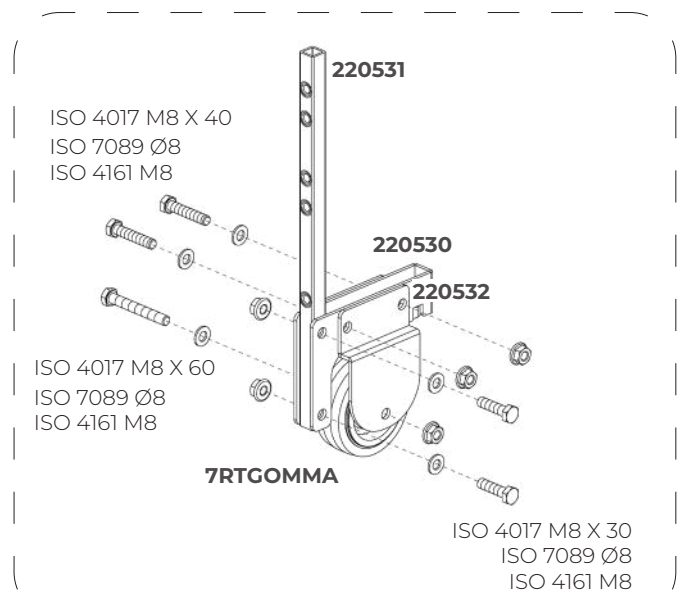
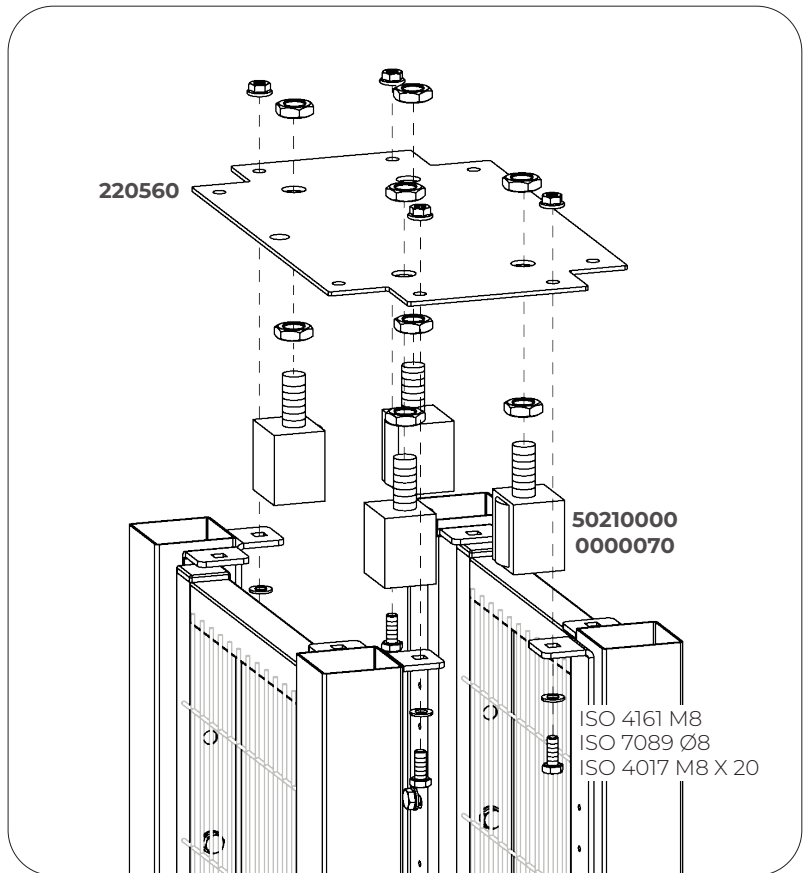
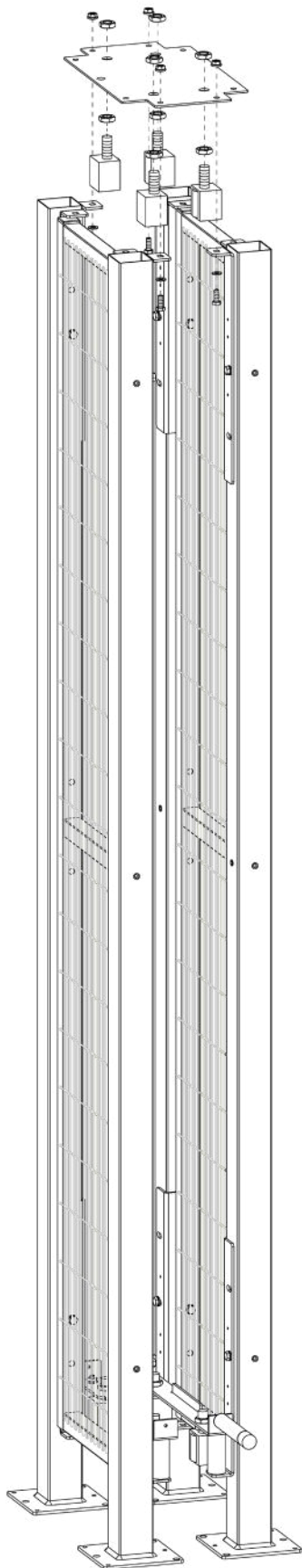
Single Open Passage Sliding Door

ASSEMBLY INSTRUCTIONS



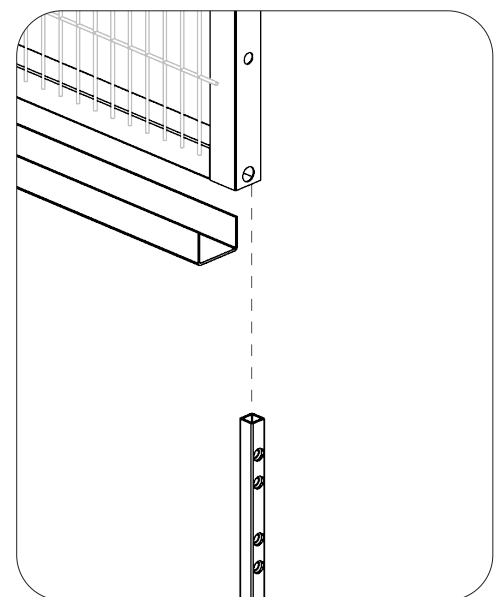
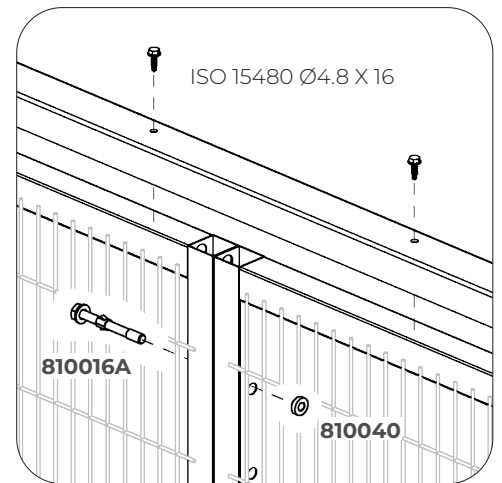
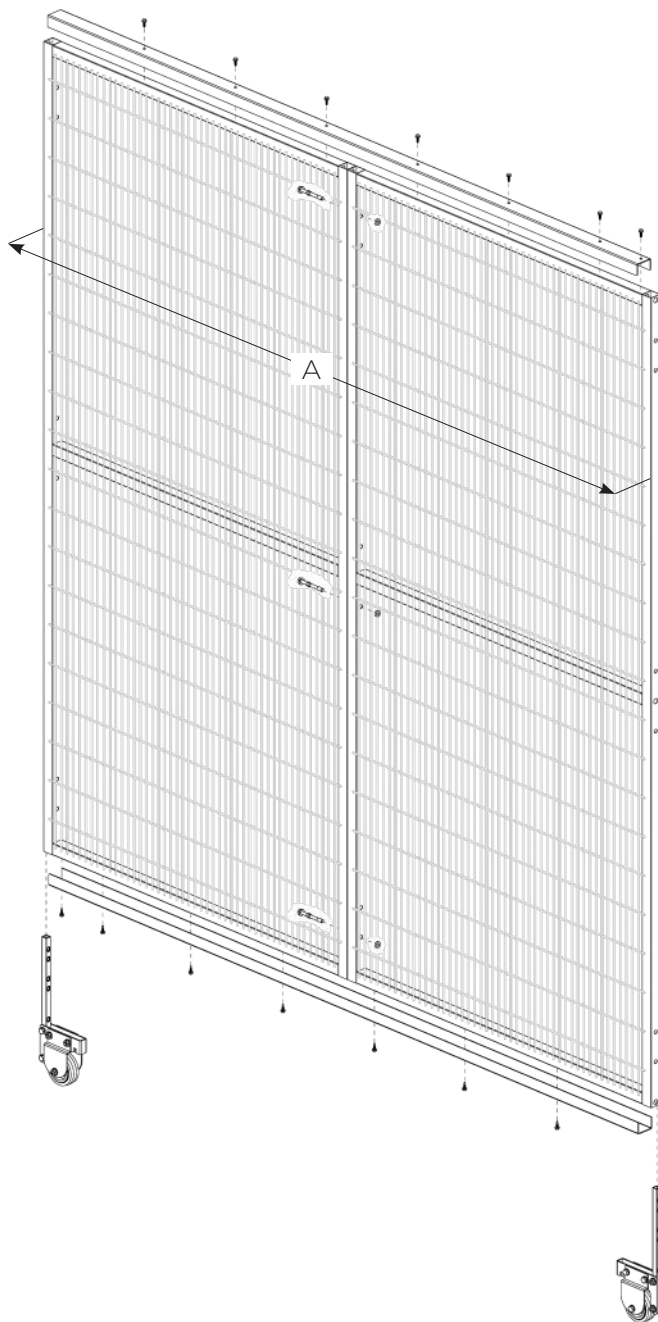
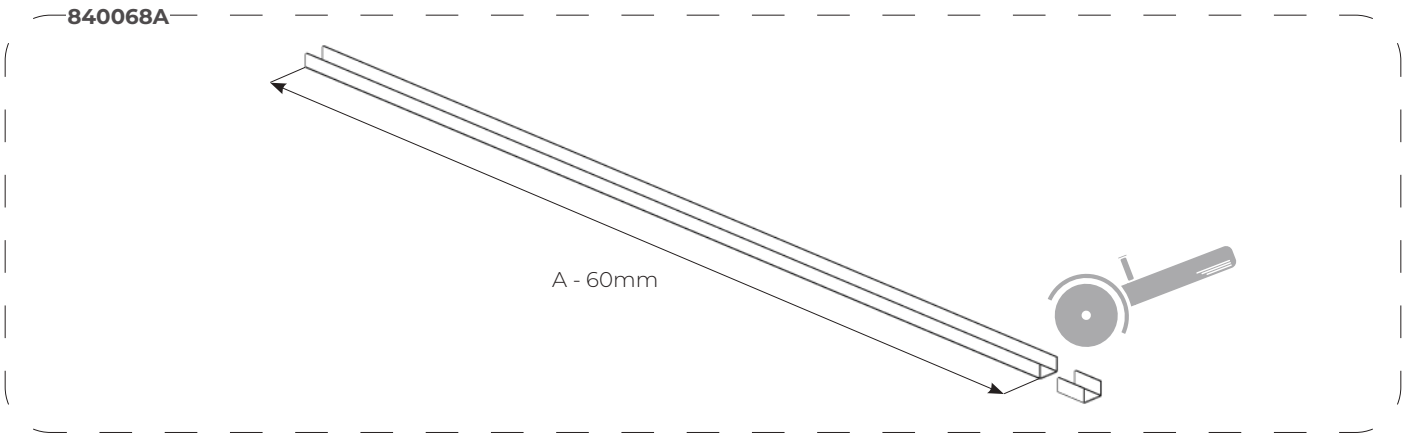
Single Open Passage Sliding Door

ASSEMBLY INSTRUCTIONS



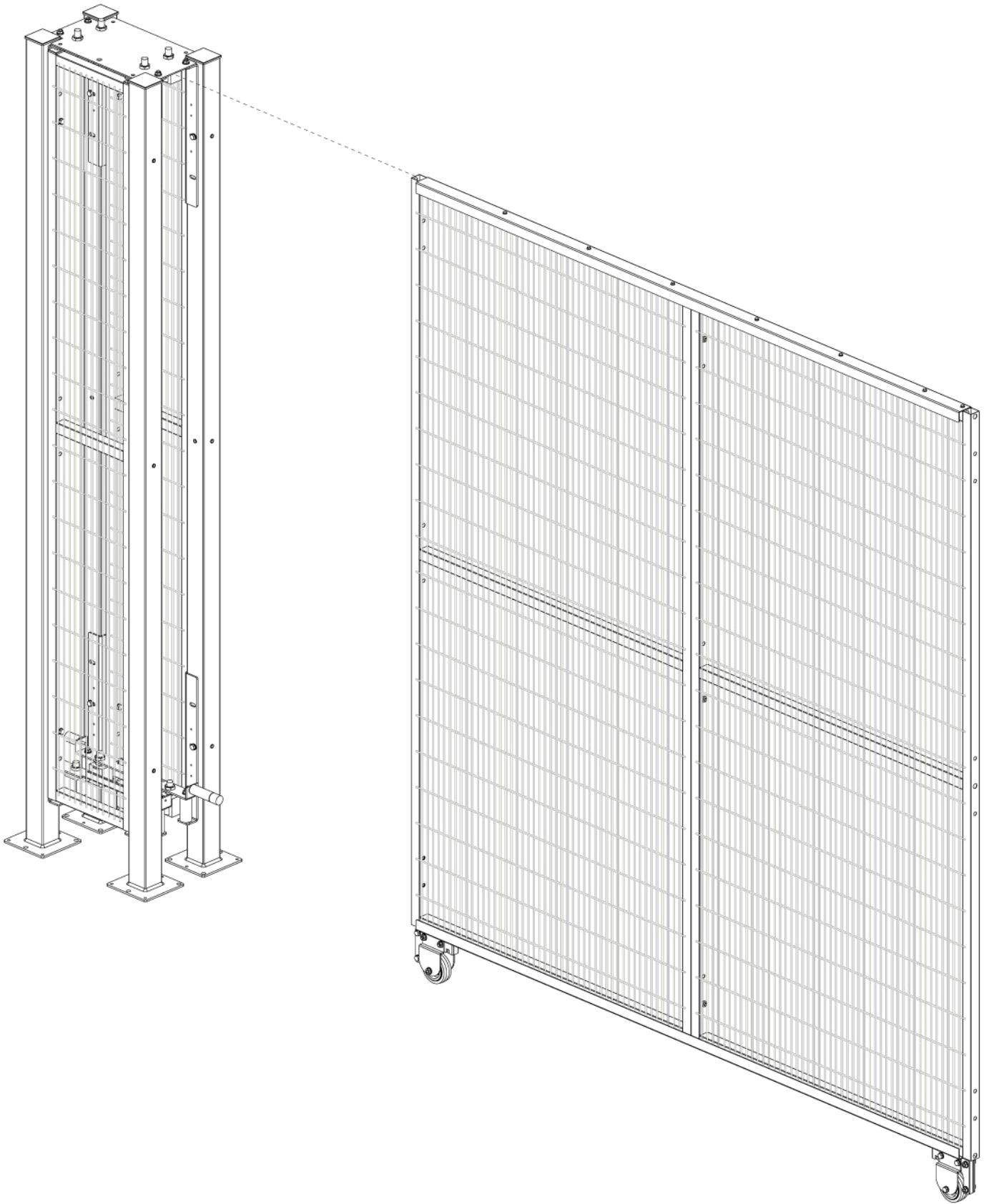
Single Open Passage Sliding Door

ASSEMBLY INSTRUCTIONS



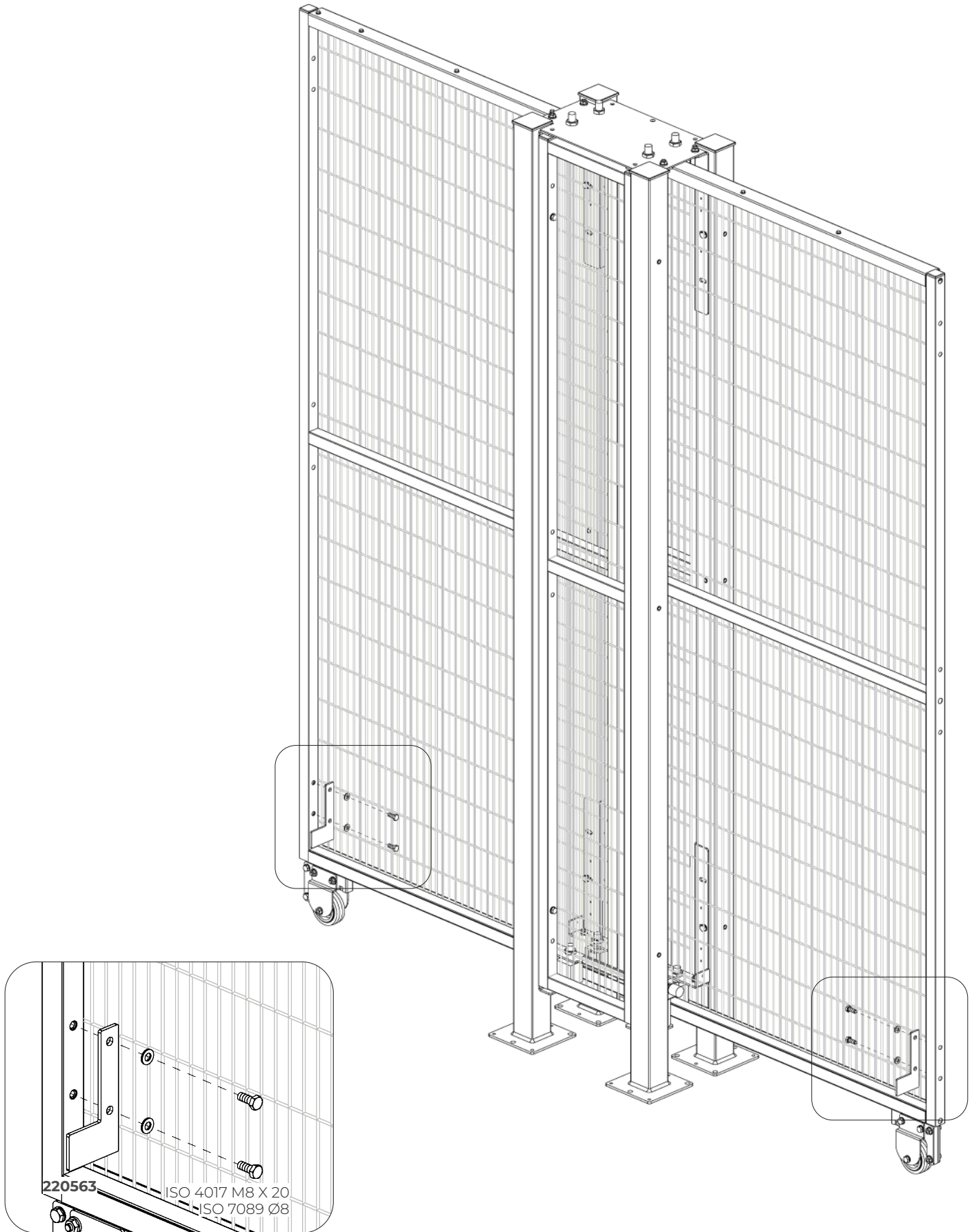
Single Open Passage Sliding Door

ASSEMBLY INSTRUCTIONS



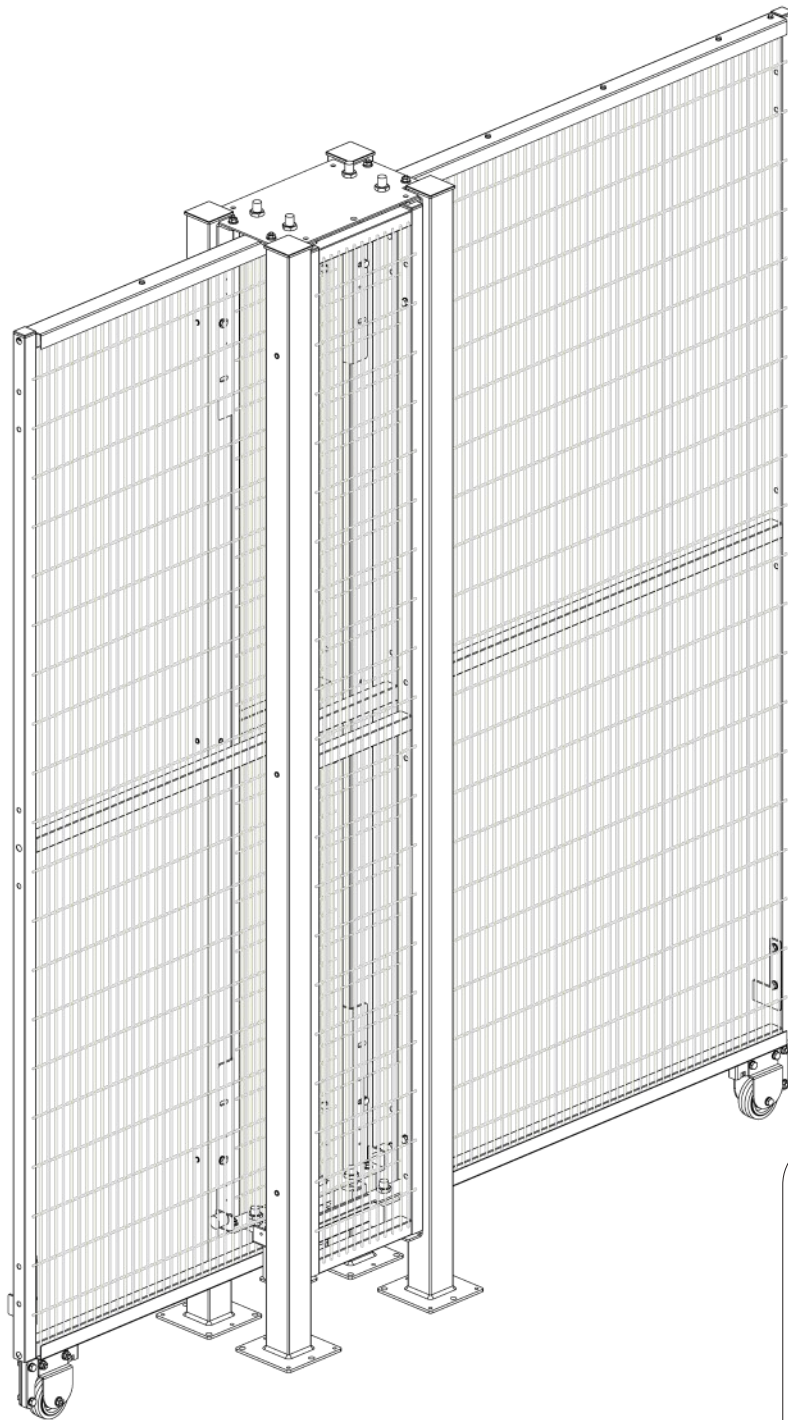
Single Open Passage Sliding Door

ASSEMBLY INSTRUCTIONS

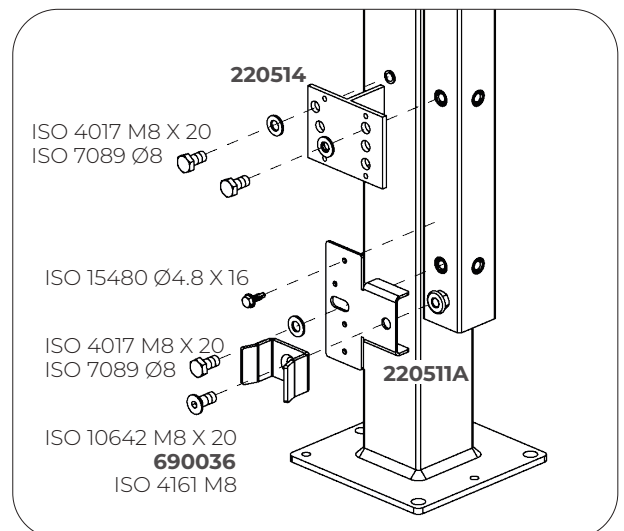
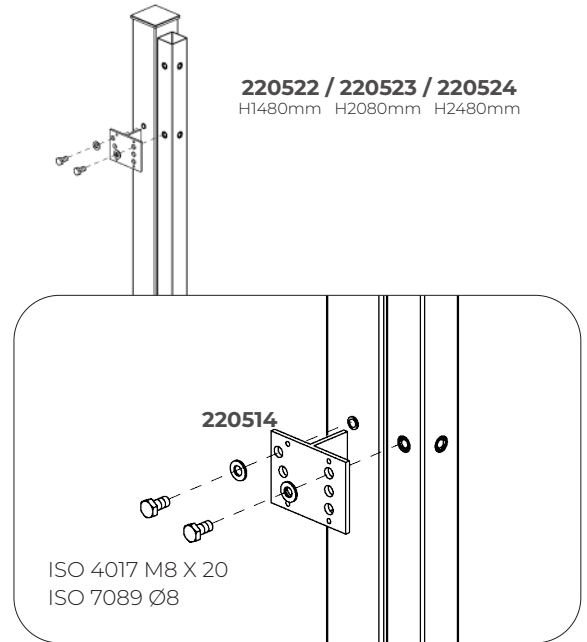


Single Open Passage Sliding Door

ASSEMBLY INSTRUCTIONS



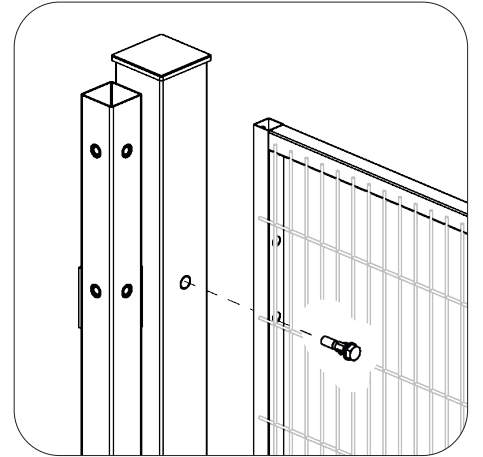
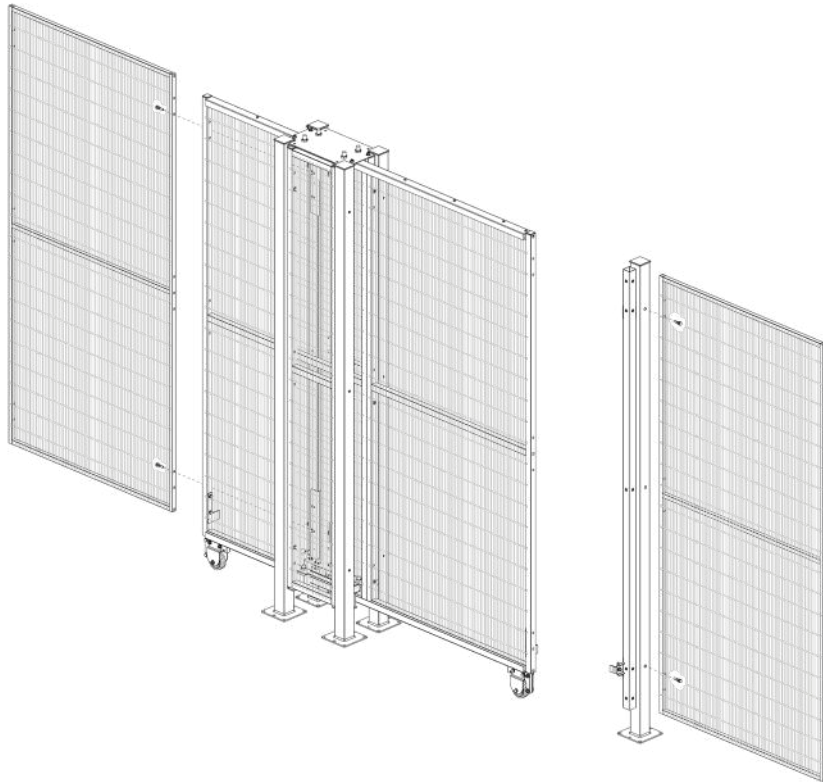
220522 / 220523 / 220524
H1480mm H2080mm H2480mm



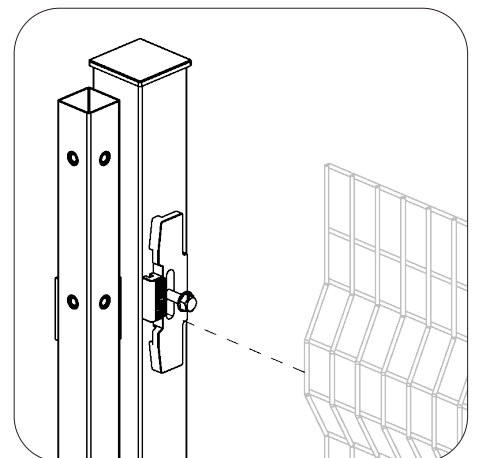
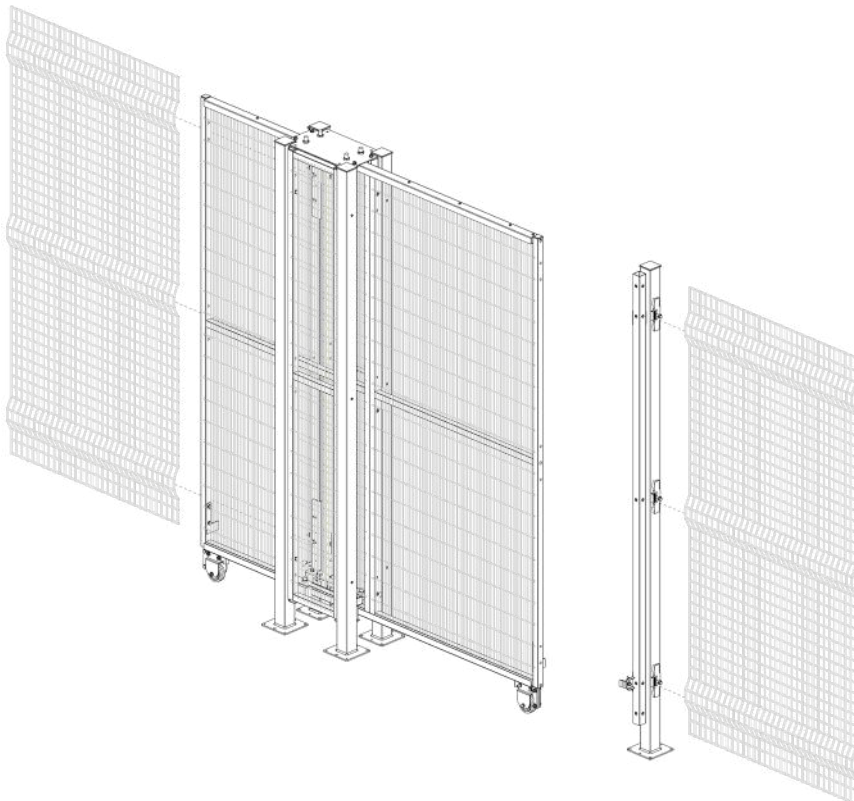
Single Open Passage **Sliding Door**

ASSEMBLY INSTRUCTIONS - LINEAR

ImpactGuard



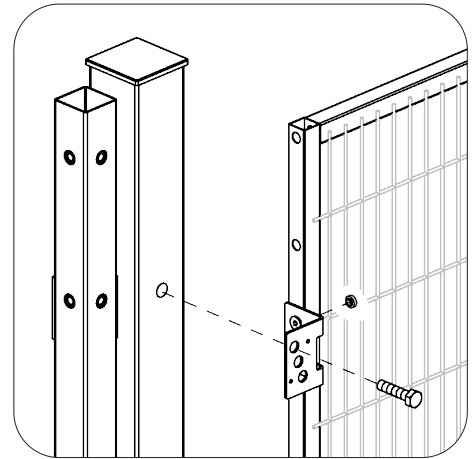
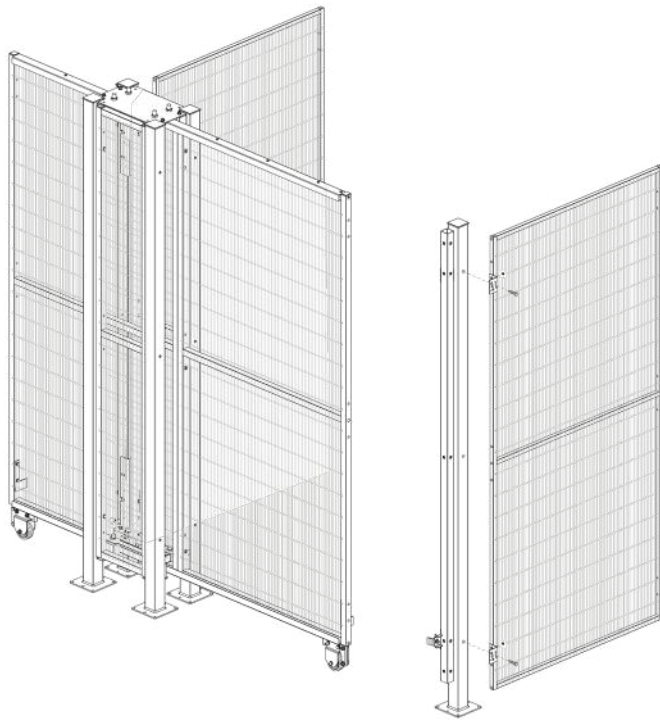
AdaptaGuard



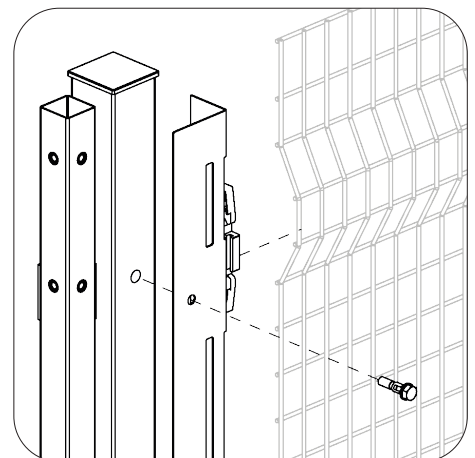
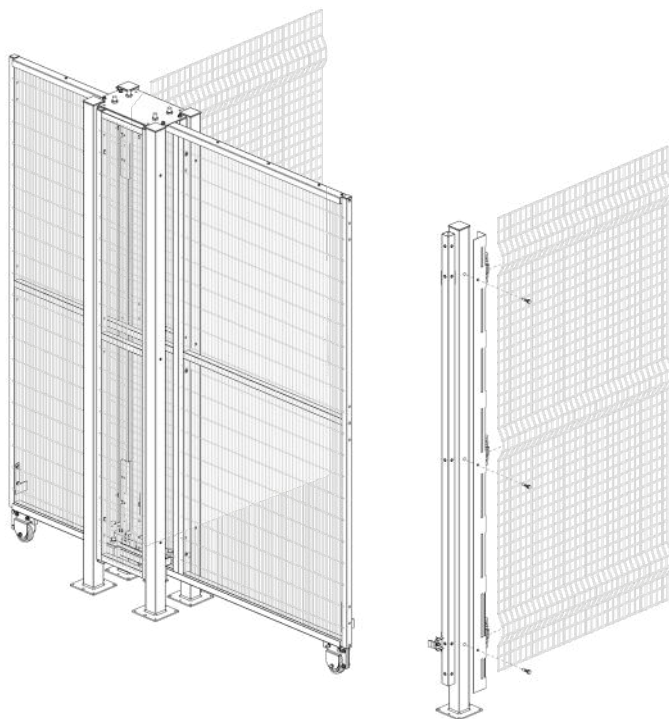
Single Open Passage **Sliding Door**

ASSEMBLY INSTRUCTIONS - ANGULAR

ImpactGuard



AdaptaGuard



Single Open Passage **Sliding Door**

ASSEMBLY INSTRUCTIONS - NOTES

A large grid area for taking notes, consisting of a 30x30 grid of small squares. The grid is empty and occupies most of the page.

Modular Machine Guards that fit your needs.

Tailor-made solutions for the safety of operators and machinery



Protecting workers and machinery is paramount to create a safe and productive work environment. Satech Modular Machine Guards Systems, Doors and Accessories provide tailor-made solutions for any machinery layout need. **3 framed Systems, 2 frameless Systems and more than 150 Locks/Interlocks** ensure the maximum level of protection (PL) when accessing hazard areas for inspection or machinery maintenance.

Perimeter Protection Machine Safety Guards compliant with European and International Standards

Satech Machine Guards are manufactured in compliance with the **EN ISO 14120** standard, "General requirements for the design and construction of fixed and movable guards". They can be installed at a minimum distance of **120 mm from hazard** (as for EN ISO 13857), saving you plenty of layout space.

All Satech products are manufactured with **quality materials** and are highly durable. Mesh panels and other panel solutions can be easily and rapidly connected to posts (with captive retained fastenings, as for 2006/42/CE - Machinery Directive), which allows you to greatly **reduce assembly time**.

Founded in 2000, Satech was the first Italian Perimeter Guards Manufacturer. A **modern international company** today, in our 20+ years of work we have taken care of the safety of thousands of automated machinery systems and of millions of people worldwide. A **Safe Factory** is a **Productive One**.

Our products may be subject to changes or improvements. The images shown here are for illustrative purposes only.



Need help with this manual?

If you need additional specs, tips or manuals, please call our **Customer Service** at

+39 031 86230 85

SATECH
Modular Machine Guards

Satech Safety Technology SpA

Via Conte Taverna, 1
I-23892 Bulciago (LC)
Phone +39 031 86230 11



CERTIFIED
ISO 9001
ISO 14001
ISO 45001

